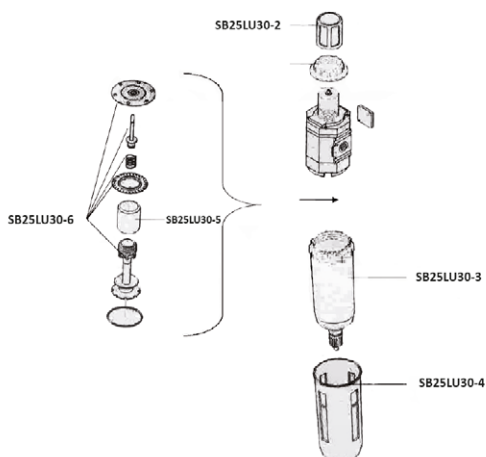
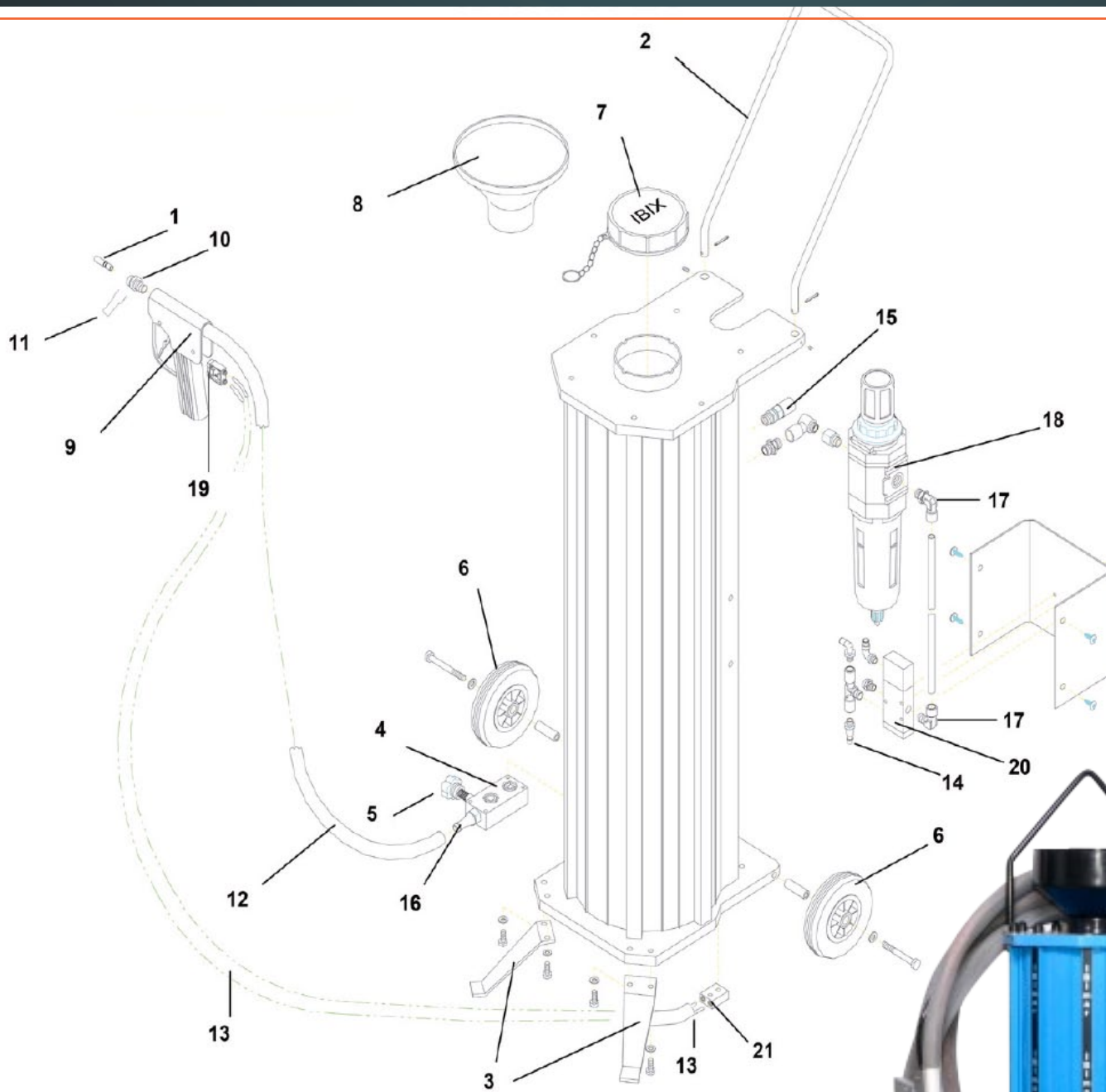


RESERVEDELER IBIMAR 28



RESERVEDELER IBIMAR 28



NORSpray

Utstyr til overflateindustrien

	140400001 Lance IBIX25 - 1,2 meter		SB25DEL40 Wheels incl. case		SB25LU30-1 Air regulator with water separator and filter
	140400002 Sand/water blasting kit		SBDEL50 Filling lid		SBL25U30-2 Black cap for air regulator SB25LU30
	149900005 Metal sieve		SBDEL55 Funnel		SBLU30-2 Manometer for air regulator SBLU30/SB25LU30
	SB25SPS Sparepart set for Ibimar 28		SB25DEL62 Remote control handle Ibimar28		SBL25U30-3 Bowl polycarbonate to SB25LU30
	SBTIL10 Suction for dust free blasting, complete		SBDEL63 Nozzleholder incl. pin SB25DEL63B Nozzleholder incl. pin, big nozzles		SB25LU30-4 Bowl guard polycarbonate to SB25LU30
	DYSVEN5, DYSVEN6 Big Venturinozzle 5 mm Venturinozzle 6 mm		SBDEL63 Pin for nozzleholder SB25DEL63B Pin for nozzleholder, big nozzles		SB25LU30-5 Filter for SB25LU30
	DYS5-5, DYS6-5 Big Cylindrical nozzle 5,5 mm Cylindrical nozzle 6,5 mm		SB25LU10 IBIX 25 Sandblasthose		SB25LU30-6 Fitting kit for SB25LU30
	DYS1-5, DYS2, DYS2-5, DYS3, DYS3-5, DYS4, DYS4-5 Small Cylindrical nozzle 1,5mm - 4mm		SBLU11 IBIX 2 x 4 mm air controlhose		SBLU32 On/off switch with pneumatic safety device
	DYSVEN2-5, DYSVEN4 Small Venturinozzle 2,5 mm Venturinozzle 4 mm		SBLU24 Air connection, claw coupling		SBLU32 old - Discontinued see: SB25LU32-1 On/off switch without pneumatic safety device
	SB25ALU20 Lifting handle ibimar28		SB25LU22 Safety valve 8,5 bar		SB25LU32-1 Replacement kit for new style handle and on/off valve
	SB25ALU30 Support leg aluminium		SBLU23 Hosepipe to SB25DEL10		SB25LU34-42 3/2 valve big, 4200
	SB25DEL10 Sand mixture regulation valve		SB25LU27 90° fittings 14 mm - 1/2'		SBLU36 Pisco connector double 2 x 4 mm
	SB25DEL11 Mixing screw to SB25DEL10				