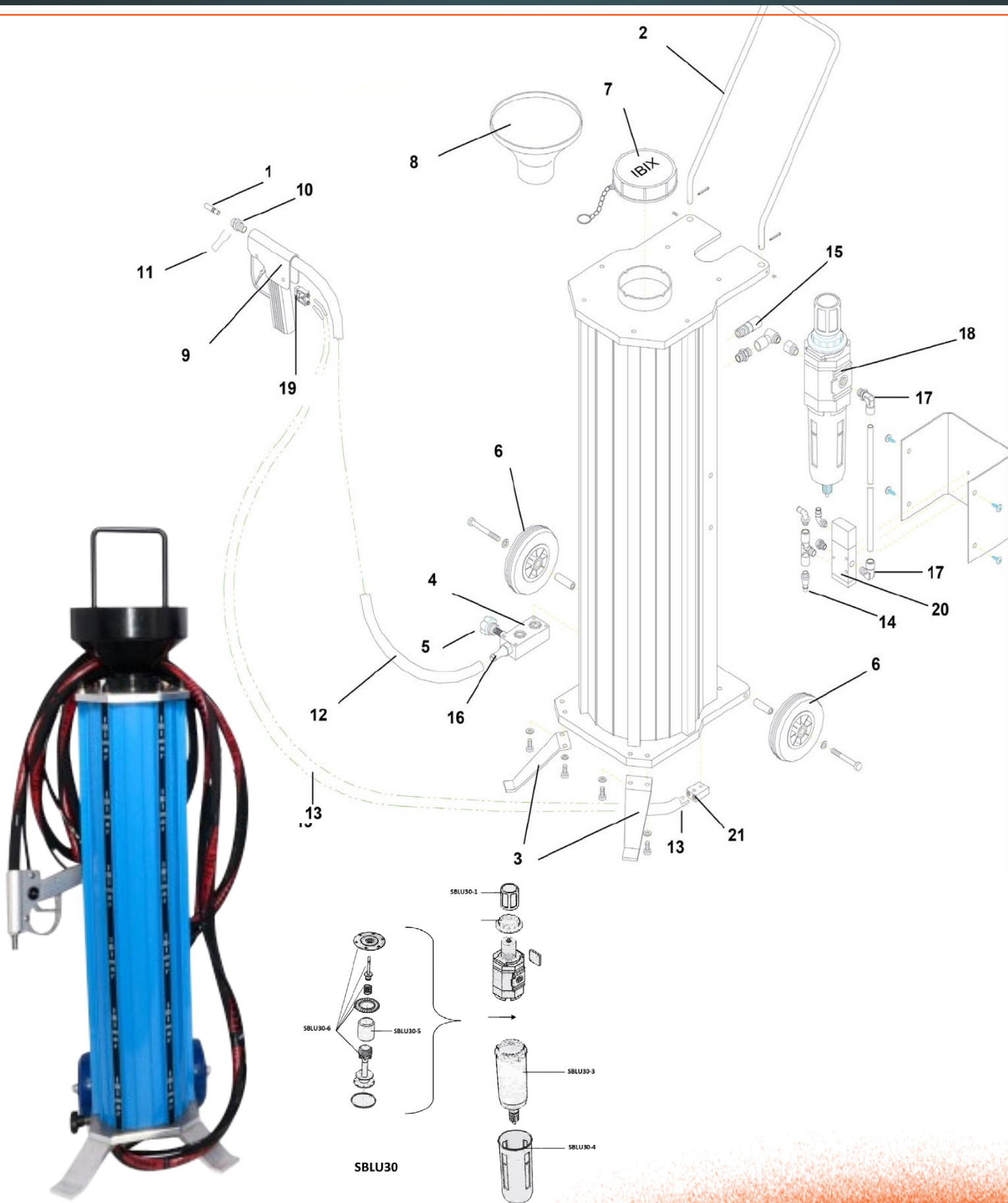


# RESERVEDELER IBIMAR 13



# NORSPRAY

Utstyr til overflateindustrien



# RESERVEDELER IBIMAR 13



# NORSPRAY

Utstyr til overflateindustrien

	140200001 Lance Ibimar 13 - 1,2 meter		6 SBDEL40 Wheels incl. case		18 SBLU30 Air regulator with water separator and filter
	140200002 Sand/water blasting kit		7 SBDEL50 Filling lid		SBLU30-1 Black cap for air regulator SBLU30
	149900005 Metal sieve		8 SBDEL55 Funnel		SBLU30-2 Manometer for air regulator SBLU30
	SBL1SPS Sparepart set for Ibimar 13 mini		9 SBDEL62 Remote control handle Ibimar13		SBLU30-3 Bowl polycarbonate to SBLU30
	SBTIL10 Suction for dust free blasting, complete		10 SBDEL63 Nozzleholder incl. pin		SBLU30-4 Bowl guard polycarbonate to SBLU30
	SBTIL20 Back pack, carry system		11 SBDEL63-1 Pin for nozzleholder		SBLU30-5 Filter for SBLU30
	DYS1-5, DYS2, DYS2-5, DYS3, DYS3-5, DYS4, DYS4-5 Cylindrical nozzle 1,5mm - 4mm		12 SBLU10 IBIX 3/8' Sandblasthose		SBLU30-6 Fitting kit for SBLU30
	DYSVEN2-5, DYSVEN4 Venturinozzle 2,5 mm		13 SBLU11 IBIX 2 x 4 mm air controlhose		SBLU32 On/off switch with peumatic safety device
	DYSVEN2-5, DYSVEN4 Venturinozzle 4 mm		14 SBLU20 Air connection 1/4' Norwegian		SBLU32 old - Discontinued see: SBLU32-1 On/off switch without pneumatic safety device
	SBALU20 Lifting handle IBIX9		14 SBLU21 Air connection 1/4' Euro		SBLU32-1 Replacement kit for new style handle and on/off valve
	SBALU30 Support leg aluminium		15 SBLU22 Safety valve 8,5 bar		SBLU34 3/2 valve big
	SBDEL10 Sand mixture regulation valve		16 SBLU23 Hosepipe to SBDEL10 3/8'		SBLU36 Pisco connector double 2 x 4 mm
	SBDEL10 old Sand mixture regulation valve		17 SBLU27 90° fittings 10 mm - 3/8'		
	SBDEL11 Mixing screw to SBDEL10				