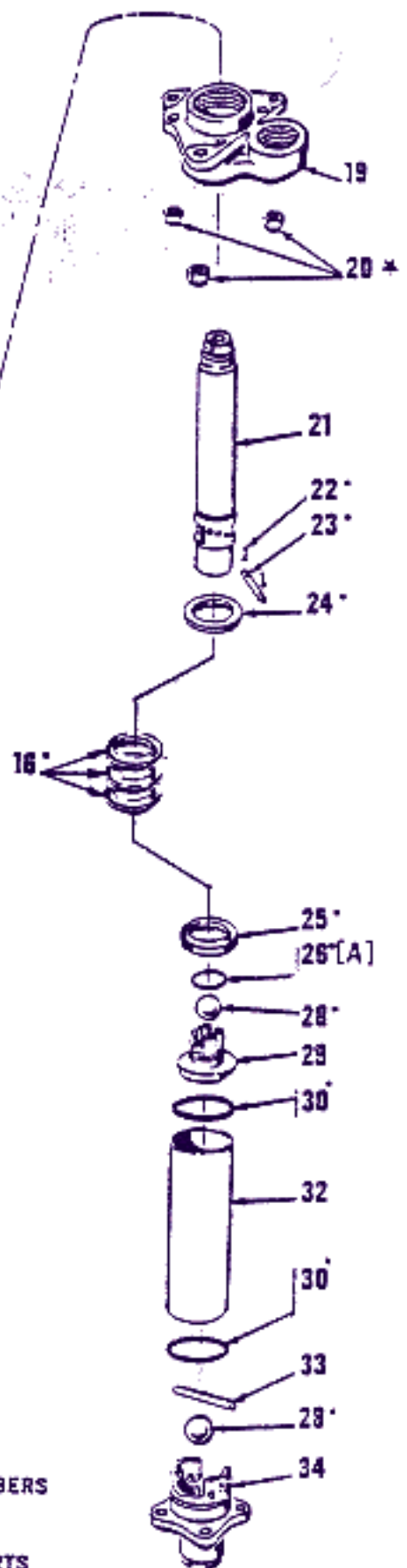
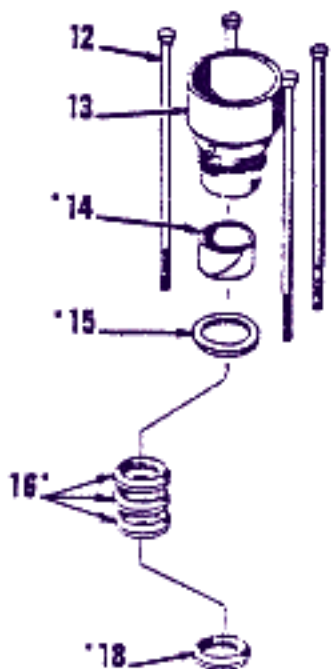
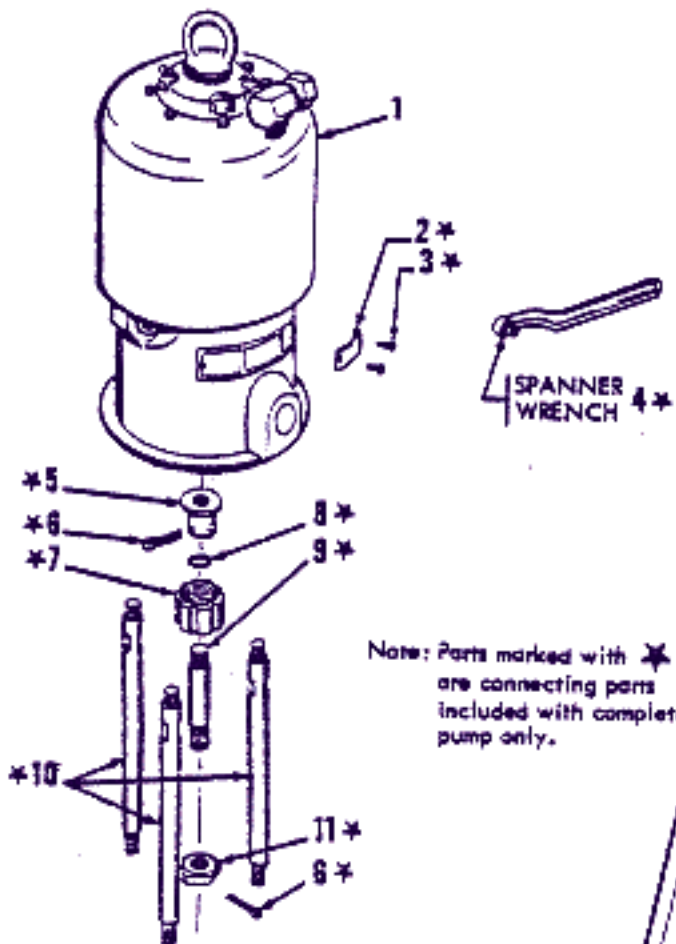


Model 674 9003
20:1 Ratio KING PUMP Stainless Steel
STUBBY SIZE WITH RUBBER PACKINGS


* ASTERISKED NUMBERS
 ARE
 SUGGESTED
 REPLACEMENT PARTS

Model 674 8001 Series "C"

PART OF COMPLETE PUMP 674 9003

 includes items 4, 12 to
 19, 21 to 34.

PARTS LIST

<u>Ref. n°</u>	<u>Part n°</u>	<u>Description</u>	<u>Qty</u>
1	207-647	Series "C" King Air motor assy (see 306 968 for parts)	1
2	172-446	Plate, designation	1
3	100-203	Screw, self tap, type "Z", n°4 size, 5/16 long.	2
4	102-743	Wrench, spanner	1
5	168-211	Coupling, connecting rod	1
6	100-103	Pin cotter, 1/8 dia. 1 1/2" long	2
7	168-210	Nut, shouldered, 1 1/4-12 thread size	1
8	158-674	Seal, O-ring, buna-N	1
9	168-212	Rod, tie	1
10	674-0007	Rod, tie	3
11	102-217	Nut, jam, hex. 3/4-10 thread size	1
12	102-215	Screw, hex.hd 5/8-11 thd size, 12"lg	4
13	168-282	Packing nut W/lubricant cup	1
14	*168-283	Bearing, rod, displacement	1
15	*674-0004	Gland, packing, female	1
16	*165-949	Packing, "V", nitrile rubber : fluid pump	8
18	*167-354	Gland, packing male, throat packings	1
19	902 168	Head, fluid pump	1
20	102-216	Locknut, stainless, 5/8-11 thd size	3
21	206-614	Displacement rod assy : fluid pump	1
22	*100-063	Pin, stainless cotter, 1/16 dia. 1/2 lg	2
23	*166-371	Pin, ball stop : fluid piston	1
24	*167-355	Gland, packing, male : fluid piston	1
25	*166-375	Gland, female bearing : fluid pump	1
26	*165-295	Seal, O-ring, nitrile rubber : fluid piston	1
28	*101-968	Ball, stainless steel, 1 1/4 dia.	2
29	674-7001	Piston valve seat	1
30	*166-378	Seal, O-ring, nitrile rubber : fluid cyl. 2	
32	609-336	Cylinder, displacement	1
33	166-376	Pin, ball stop : fluid intake valve	1
34	206-617	Fluid intake valve housing assy	1

* Asterisked numbers are suggested replacement parts.