



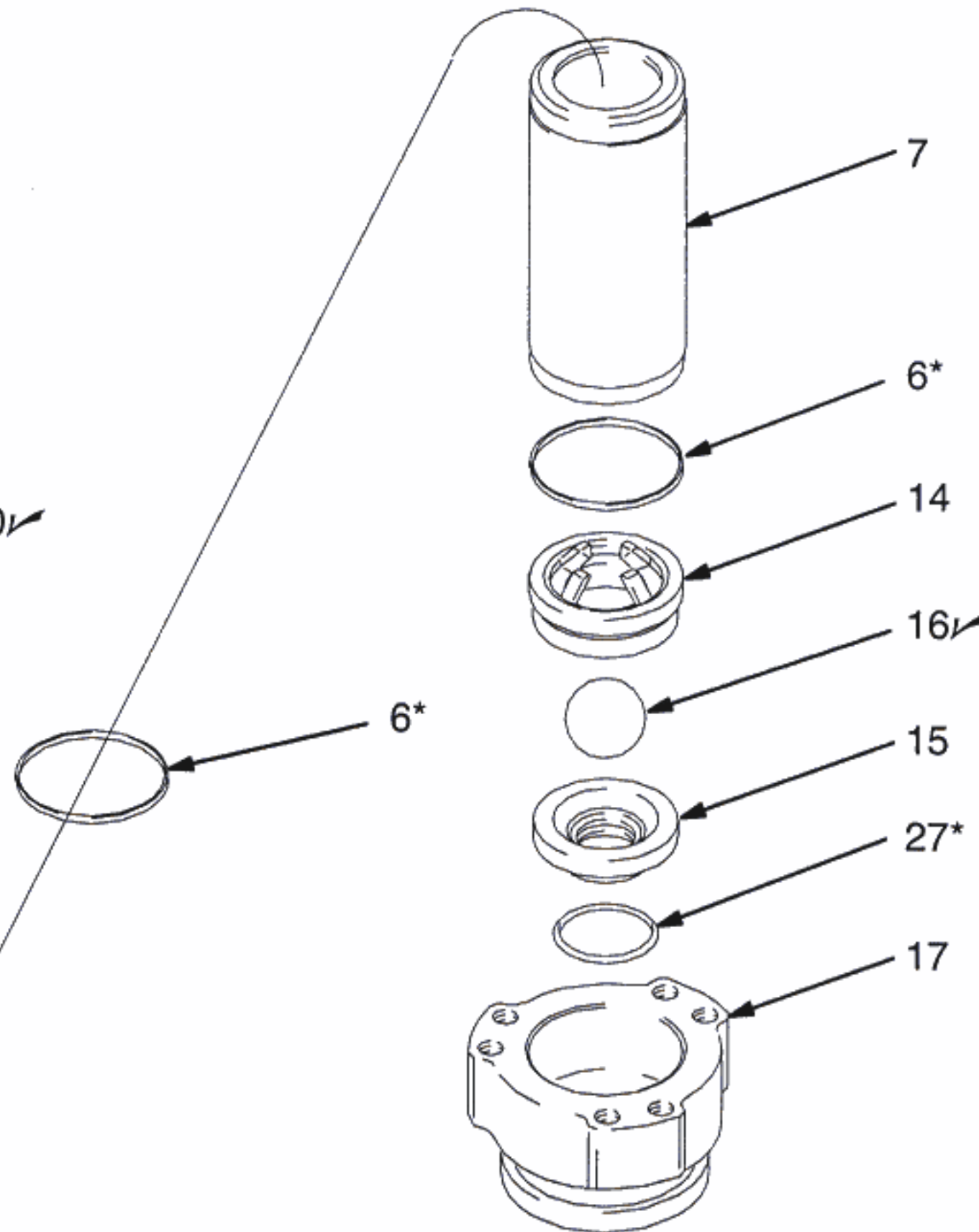
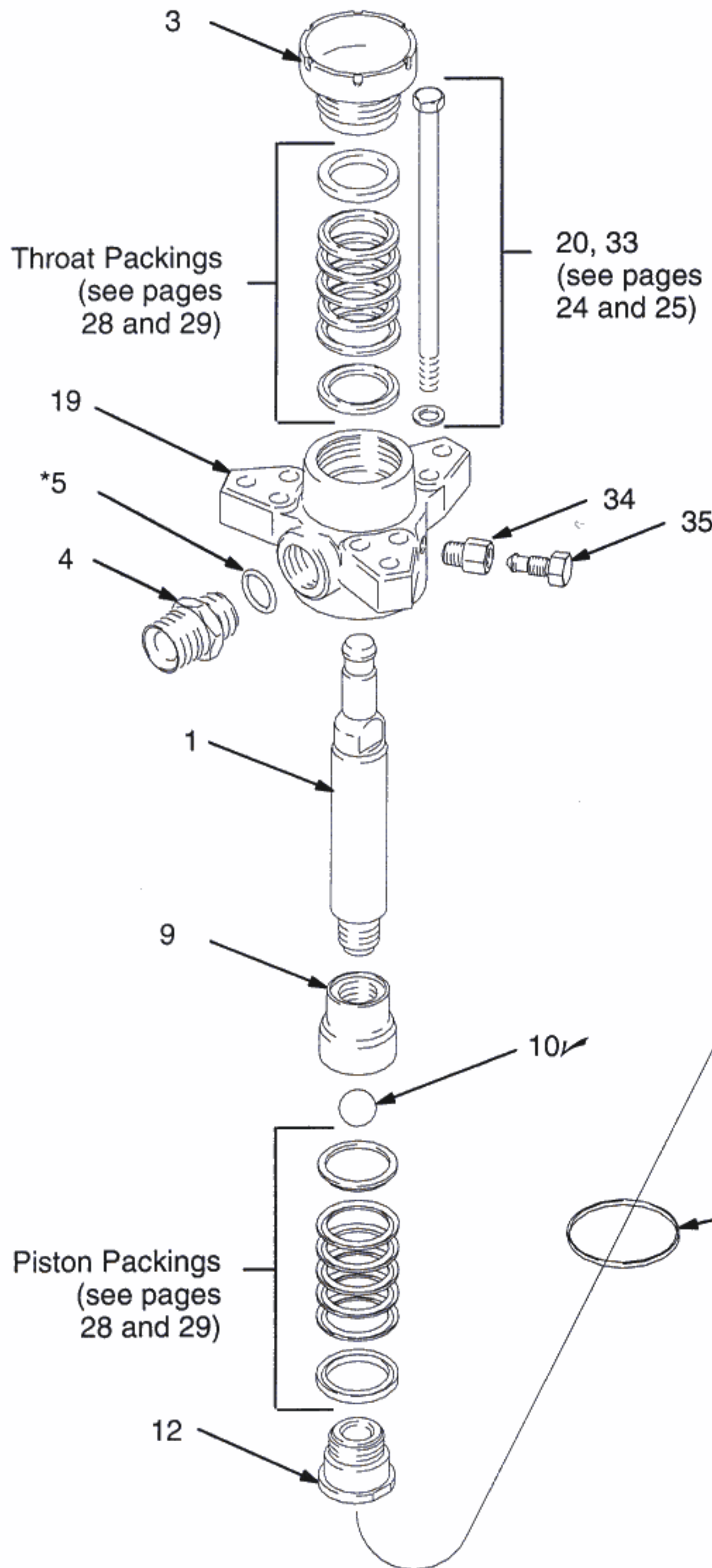
Parts

NOTE: The parts listed on this page are common to all displacement pumps covered in this manual. The pumps use different packing configurations. Standard Models 222805, 241956, and 687055 use stainless steel cap screws with washers. Optional pumps use carbon steel cap screws without a washer. Refer to pages 28 and 29 for the different pump configurations available.

* These parts are included in Packing Repair Kit 222845, which may be purchased separately for standard Displacement Pumps 222805, 241956, and 687055. They are also included in the optional packing conversion kits listed on pages 28 and 29.

✓ Keep these spare parts on hand to reduce down time.

Ref No.	Part No.	Description	Qty
1	184276	ROD, displacement; stainless steel	1
	687118	ROD, displacement; ceramic (used on 241956)	1
3	184458	PACKING NUT/WET-CUP; stainless steel	1
4	184387	FITTING, outlet; 1-1/2" npt(m) x M42 x 20; stainless steel	1
5*	109213	O-RING; Teflon®	1
6*	184072	SEAL; Delrin®	2
7	184461	CYLINDER; stainless steel	1
9	184283	GUIDE, ball, piston; stainless steel	1
10✓	109219	BALL, piston; stainless steel; 1.25" (31.8 mm) dia. (used on 222845)	1
	112267	BALL, piston; tungsten; 1.25" (31.8 mm) dia. (used on C59703 and 241956)	1
12	222795	HOUSING, seat, piston valve; stainless steel w/tungsten carbide seat	1
14	184282	GUIDE, ball, intake; stainless steel	1
15	222838	HOUSING, seat, intake valve; stainless steel w/tungsten carbide seat	1
16✓	110294	BALL, intake; stainless steel; 2" (50.8 mm) dia. (used on 222845)	1
	C59027	BALL, intake; carbide; 2" (50.8 mm) dia. (used on C59703 and 241956)	1
17	184390	HOUSING, intake; stainless steel	1
19	222917	HOUSING, outlet; stainless steel	1
27*	102857	O-RING; Teflon®	1
34	184392	HOUSING, valve; 3/8-18 npt x 1/2-20 unf-2b	1
35	190293	PLUG, valve; 1/2-20 unf-2a	1



02257