

# Electric Airless Sprayers

3A4203B

EN

*For professional use only.*

*Not approved for use in explosive atmospheres and hazardous locations.*

*For the application of architectural paints and coatings.*

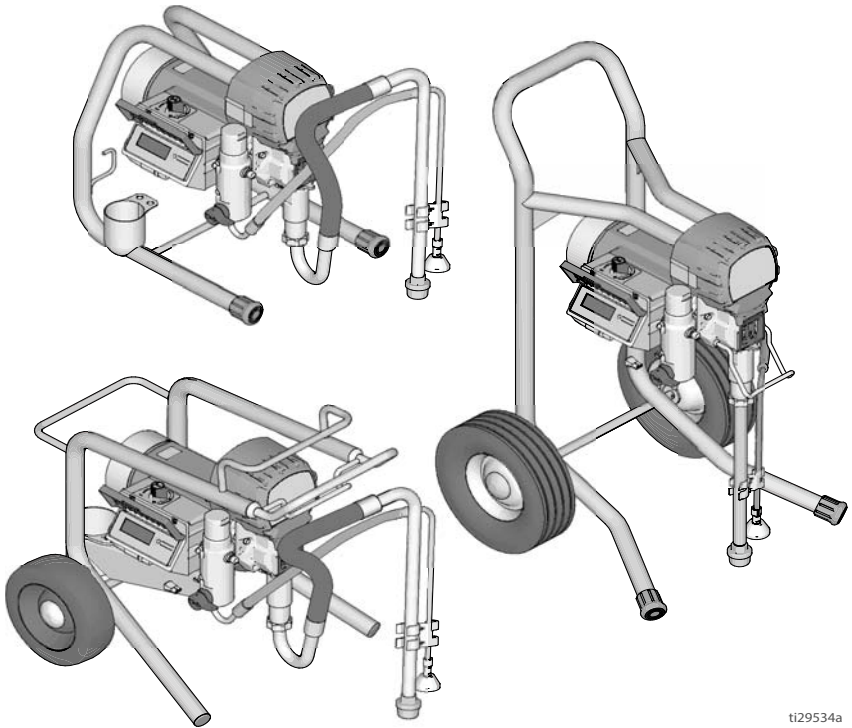
**LP 555/655, S2550 Models:**

3300 psi (22.7 MPa, 227 bar) Maximum Working Pressure



## Important Safety Instructions

Read all warnings and instructions in this manual and in related manuals.  
Be familiar with the controls and the proper usage of the equipment.  
Save these instructions.






ti29534a



# Table of Contents

<b>Models</b> .....	<b>3</b>
<b>Warnings</b> .....	<b>4</b>
<b>Component Identification</b> .....	<b>8</b>
Stand Models .....	8
Lo-Boy Models .....	9
Hi-Boy Models .....	10
<b>Grounding</b> .....	<b>11</b>
Power Requirements .....	11
Extension Cords .....	11
Pails .....	11
<b>Pressure Relief Procedure</b> .....	<b>12</b>
Trigger Lock .....	13
<b>Setup</b> .....	<b>14</b>
<b>Startup</b> .....	<b>17</b>
<b>Operation</b> .....	<b>19</b>
Spray Tip Installation .....	19
Spray .....	19
Clear Tip Clog .....	20
Digital Display .....	21
Cleanup .....	23
<b>Maintenance</b> .....	<b>26</b>
<b>Troubleshooting</b> .....	<b>27</b>
<b>Stand Sprayer Parts</b> .....	<b>39</b>
<b>Stand Sprayer Parts</b> .....	<b>40</b>
<b>Lo-Boy Sprayer Parts</b> .....	<b>42</b>
<b>Lo-Boy Sprayer Parts</b> .....	<b>43</b>
<b>Hi-Boy Sprayer Parts</b> .....	<b>45</b>
<b>Hi-Boy Sprayer Parts</b> .....	<b>46</b>
<b>Hi-Boy Sprayer Parts</b> .....	<b>48</b>
<b>Hi-Boy Sprayer Parts</b> .....	<b>49</b>
<b>Control Box</b> .....	<b>51</b>
Control Box Parts List .....	52
<b>Wiring Diagrams</b> .....	<b>53</b>
110/230V .....	53
<b>Technical Specifications</b> .....	<b>54</b>

# Models

	VAC	Model	Stand 	Lo-Boy 	Hi-Boy 
<b>CE</b>	230 Schuko	LP555	17M197		17M198
		LP655		17M201	17M200
		S2550			17M215
	110 UK	LP555	17M208		17M209
		LP655			17M211
		S2550			17M220

## Warnings

The following warnings are for the setup, use, grounding, maintenance, and repair of this equipment. The exclamation point symbol alerts you to a general warning and the hazard symbols refer to procedure-specific risks. When these symbols appear in the body of this manual or on warning labels, refer back to these Warnings. Product-specific hazard symbols and warnings not covered in this section may appear throughout the body of this manual where applicable.

### **WARNING**



#### **GROUNDING**

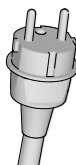
This product must be grounded. In the event of an electrical short circuit, grounding reduces the risk of electric shock by providing an escape wire for the electric current. This product is equipped with a cord having a grounding wire with an appropriate grounding plug. The plug must be plugged into an outlet that is properly installed and grounded in accordance with all local codes and ordinances.

- Improper installation of the grounding plug is able to result in a risk of electric shock.
- When repair or replacement of the cord or plug is required, do not connect the grounding wire to either flat blade terminal.
- The wire with insulation having an outer surface that is green with or without yellow stripes is the grounding wire.
- Check with a qualified electrician or serviceman when the grounding instructions are not completely understood, or when in doubt as to whether the product is properly grounded.
- Do not modify the plug provided; if it does not fit the outlet, have the proper outlet installed by a qualified electrician.
- This product is for use on a nominal 110V or 230V circuit and has a grounding plug similar to the plugs illustrated below.

110V UK



230V



- Only connect the product to an outlet having the same configuration as the plug.
- Do not use an adapter with this product.

#### **Extension Cords:**

- Use only a 3-wire extension cord that has a grounding plug and a grounding receptacle that accepts the plug on the product.
- Make sure your extension cord is not damaged. If an extension cord is necessary use 12 AWG (2.5mm<sup>2</sup>) minimum to carry the current that the product draws.
- An undersized cord results in a drop in line voltage and loss of power and overheating.



## **WARNING**

### **SKIN INJECTION HAZARD**



High-pressure spray is able to inject toxins into the body and cause serious bodily injury. In the event that injection occurs, **get immediate surgical treatment.**



- Do not aim the gun at, or spray any person or animal.
- Keep hands and other body parts away from the discharge. For example, do not try to stop leaks with any part of the body.



- Always use the nozzle tip guard. Do not spray without nozzle tip guard in place.
- Use Graco nozzle tips.



- Use caution when cleaning and changing nozzle tips. In the case where the nozzle tip clogs while spraying, follow the **Pressure Relief Procedure** for turning off the unit and relieving the pressure before removing the nozzle tip to clean.



- Equipment maintains pressure after power is shut off. Do not leave the equipment energized or under pressure while unattended. Follow the **Pressure Relief Procedure** when the equipment is unattended or not in use, and before servicing, cleaning, or removing parts.
- Check hoses and parts for signs of damage. Replace any damaged hoses or parts.
- This system is capable of producing 3300 psi. Use Graco replacement parts or accessories that are rated a minimum of 3300 psi.
- Always engage the trigger lock when not spraying. Verify the trigger lock is functioning properly.
- Verify that all connections are secure before operating the unit.
- Know how to stop the unit and bleed pressure quickly. Be thoroughly familiar with the controls.

### **FIRE AND EXPLOSION HAZARD**



Flammable fumes, such as solvent and paint fumes, in work area can ignite or explode. To help prevent fire and explosion:



- Do not spray flammable or combustible materials near an open flame or sources of ignition such as cigarettes, motors, and electrical equipment.



- Paint or solvent flowing through the equipment is able to result in static electricity. Static electricity creates a risk of fire or explosion in the presence of paint or solvent fumes. All parts of the spray system, including the pump, hose assembly, spray gun, and objects in and around the spray area shall be properly grounded to protect against static discharge and sparks. Use Graco conductive or grounded high-pressure airless paint sprayer hoses.



- Verify that all containers and collection systems are grounded to prevent static discharge. Do not use pail liners unless they are antistatic or conductive.
- Connect to a grounded outlet and use grounded extensions cords. Do not use a 3-to-2 adapter.
- Do not use a paint or a solvent containing halogenated hydrocarbons.
- Do not spray flammable or combustible liquids in a confined area.
- Keep spray area well-ventilated. Keep a good supply of fresh air moving through the area.
- Sprayer generates sparks. Keep pump assembly in a well ventilated area at least 20 feet (6.1 m) from the spray area when spraying, flushing, cleaning, or servicing. Do not spray pump assembly.
- Do not smoke in the spray area or spray where sparks or flame is present.
- Do not operate light switches, engines, or similar spark producing products in the spray area.
- Keep area clean and free of paint or solvent containers, rags, and other flammable materials.
- Know the contents of the paints and solvents being sprayed. Read all Material Safety Data Sheets (MSDS) and container labels provided with the paints and solvents. Follow the paint and solvents manufacturer's safety instructions.
- Fire extinguisher equipment shall be present and working.

# Warnings

## **WARNING**



### **EQUIPMENT MISUSE HAZARD**

Misuse can cause death or serious injury.

- Always wear appropriate gloves, eye protection, and a respirator or mask when painting.
- Do not operate or spray near children. Keep children away from equipment at all times.
- Do not overreach or stand on an unstable support. Keep effective footing and balance at all times.
- Stay alert and watch what you are doing.
- Do not operate the unit when fatigued or under the influence of drugs or alcohol.
- Do not kink or over-bend the hose.
- Do not expose the hose to temperatures or to pressures in excess of those specified by Graco.
- Do not use the hose as a strength member to pull or lift the equipment.
- Do not spray with a hose shorter than 25 feet.
- Do not alter or modify equipment. Alterations or modifications may void agency approvals and create safety hazards.
- Make sure all equipment is rated and approved for the environment in which you are using it.



### **ELECTRIC SHOCK HAZARD**

This equipment must be grounded. Improper grounding, setup, or usage of the system can cause electric shock.

- Turn off and disconnect power cord before servicing equipment.
- Connect only to grounded electrical outlets.
- Use only 3-wire extension cords.
- Ensure ground prongs are intact on power and extension cords.
- Do not expose to rain. Store indoors.



### **PRESSURIZED ALUMINUM PARTS HAZARD**

Use of fluids that are incompatible with aluminum in pressurized equipment can cause serious chemical reaction and equipment rupture. Failure to follow this warning can result in death, serious injury, or property damage.

- Do not use 1,1,1-trichloroethane, methylene chloride, other halogenated hydrocarbon solvents or fluids containing such solvents.
- Do not use chlorine bleach.
- Many other fluids may contain chemicals that can react with aluminum. Contact your material supplier for compatibility.

## **WARNING**



### **MOVING PARTS HAZARD**

Moving parts can pinch, cut, or amputate fingers and other body parts.

- Keep clear of moving parts.
- Do not operate equipment with protective guards or covers removed.
- Pressurized equipment can start without warning. Before checking, moving, or servicing equipment, follow the **Pressure Relief Procedure** and disconnect all power sources.



### **TOXIC FLUID OR FUMES HAZARD**

Toxic fluids or fumes can cause serious injury or death if splashed in the eyes or on skin, inhaled, or swallowed.

- Read MSDSs to know the specific hazards of the fluids you are using.
- Store hazardous fluid in approved containers, and dispose of it according to applicable guidelines.



### **PERSONAL PROTECTIVE EQUIPMENT**

Wear appropriate protective equipment when in the work area to help prevent serious injury, including eye injury, hearing loss, inhalation of toxic fumes, and burns. This protective equipment includes but is not limited to:

- Protective eyewear, and hearing protection.
- Respirators, protective clothing, and gloves as recommended by the fluid and solvent manufacturer.

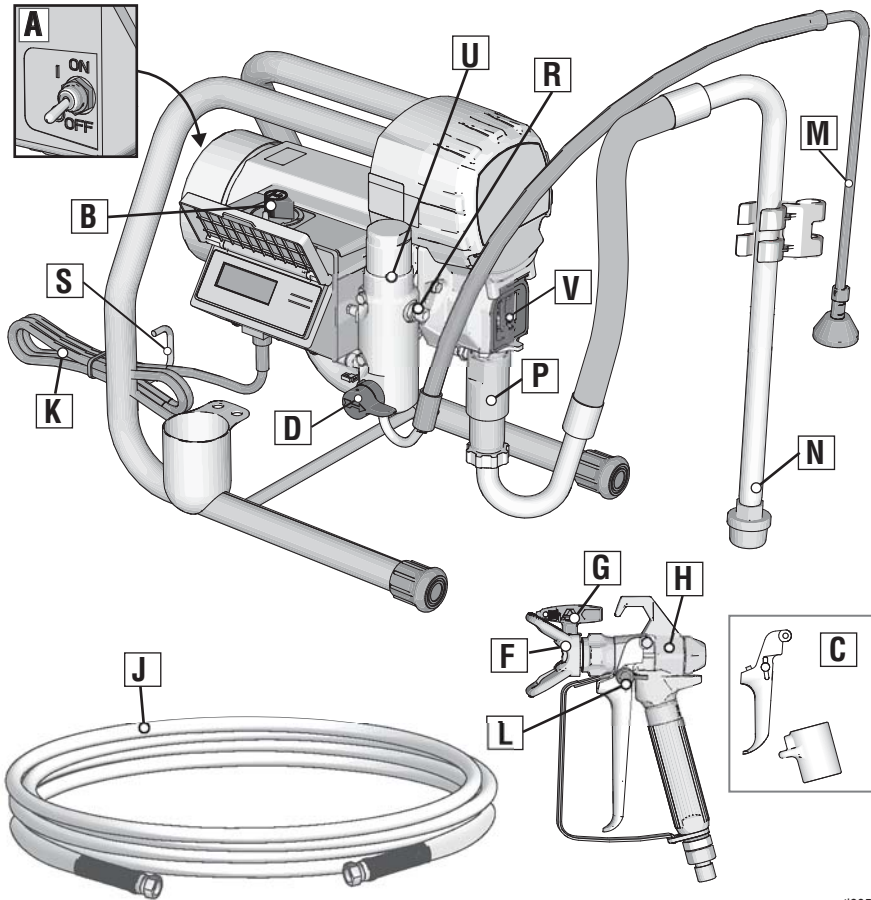
### **CALIFORNIA PROPOSITION 65**

This product contains a chemical known to the State of California to cause cancer, birth defects or other reproductive harm. Wash hands after handling.

# Component Identification

## Component Identification

### Stand Models



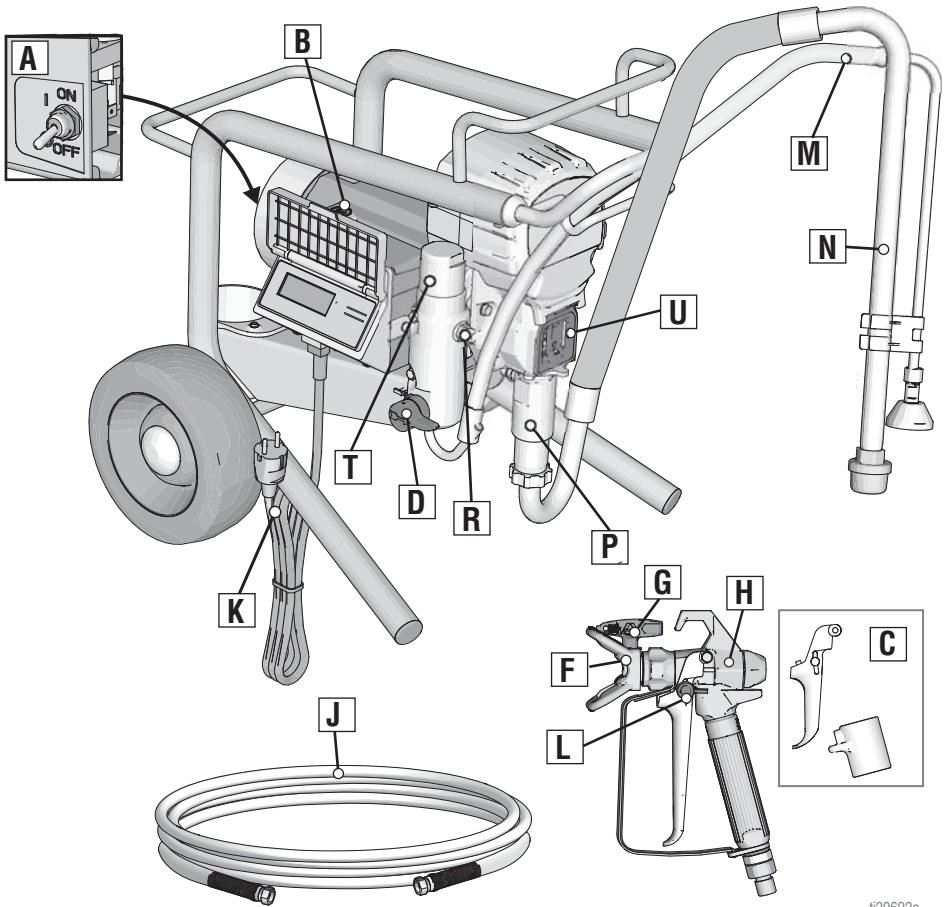
ti29535a

A	ON/OFF Switch
B	Pressure Control
C	Two-Finger Trigger Conversion Kit
D	Prime Valve
F	Tip Guard
G	Spray Tip
H	Gun
J	Airless Hose
K	Power Cord

L	Trigger Lock
M	Drain Tube
N	Fluid Intake
P	Pump
R	Fluid Outlet
S	Power Cord Wrap
U	Filter (inside manifold)
V	Finger Guard / TSO Fill Point
	Model/Serial Tag (Not shown, located on bottom of unit.)

# Component Identification

## Lo-Boy Models



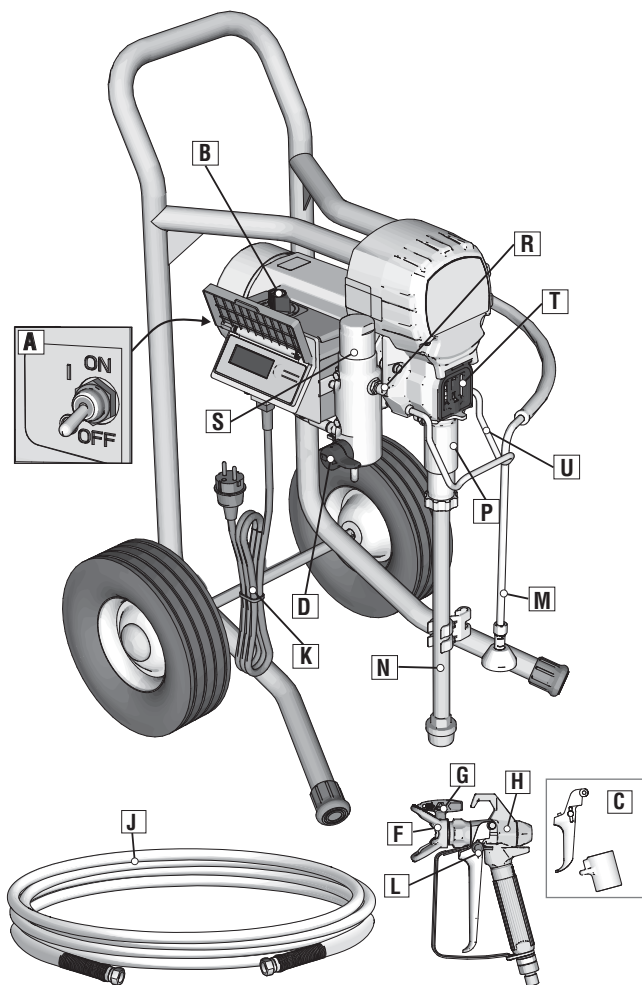
ti29692a

A	ON/OFF Switch
B	Pressure Control
C	Two-Finger Trigger Conversion Kit
D	Prime Valve
F	Tip Guard
G	Spray Tip
H	Gun
J	Airless Hose
K	Power Cord

L	Trigger Lock
M	Drain Tube
N	Fluid Intake
P	Pump
R	Fluid Outlet
T	Filter (inside manifold)
U	Finger Guard / TSO Fill Point
	Model/Serial Tag (Not shown, located on bottom of unit.)

# Component Identification

## Hi-Boy Models



ti29537a

A	ON/OFF Switch
B	Pressure Control
C	Two-Finger Trigger Conversion Kit
D	Prime Valve
F	Tip Guard
G	Spray Tip
H	Gun
J	Airless Hose
K	Power Cord

L	Trigger Lock
M	Drain Tube
N	Fluid Intake
P	Pump
R	Fluid Outlet
S	Filter
T	Finger Guard / TSO Fill Point
U	Pail Hook
	Model/Serial Tag (Not shown, located on bottom of unit.)

# Grounding



The equipment must be grounded to reduce the risk of static sparking and electric shock. An electric or static spark can cause fumes to ignite or explode. An improper ground can cause electric shock. A good ground provides an escape wire for the electric current.

This sprayer includes a ground wire with an appropriate ground contact.

The plug must be plugged into an outlet that is properly installed and grounded in accordance with all local codes and ordinances.

Do not modify the plug provided; if it does not fit the outlet, have the proper outlet installed by a qualified electrician.

## Power Requirements

- 120V units require 100-120 VAC, 50/60 Hz, 13A, 1 phase.
- 230V units require 230 VAC, 50/60 HZ, 8A, 1 phase.

## Extension Cords

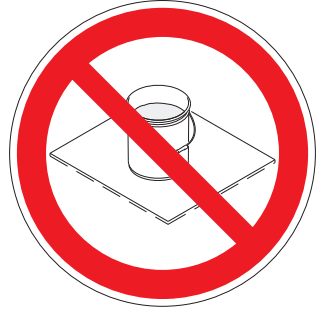
Use an extension cord with an undamaged ground contact. If an extension cord is necessary, use a 3-wire, 12 AWG (2.5 mm<sup>2</sup>) minimum.

**NOTE:** Smaller gauge or longer extension cords may reduce sprayer performance.

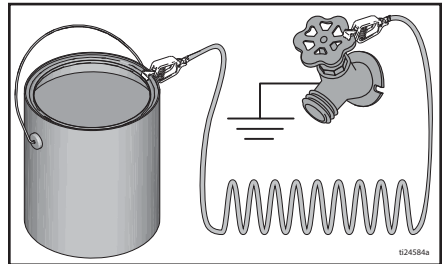
## Pails

**Solvent and oil-based fluids:** follow local code. Use only conductive metal pails, placed on a grounded surface such as concrete.

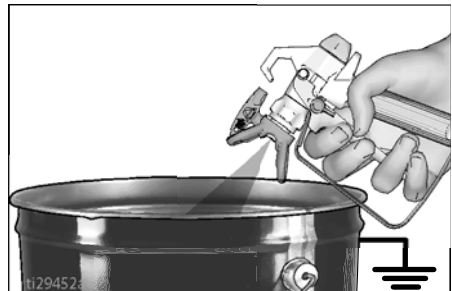
Do not place pail on a non-conductive surface such as paper or cardboard which interrupts grounding continuity.



**Always ground a metal pail:** connect a ground wire to the pail. Clamp one end to the pail and the other end to a true earth ground such as a water pipe.



**To maintain ground continuity when sprayer is flushed or pressure is relieved:** hold metal part of spray gun firmly to the side of a grounded metal pail then trigger the gun.

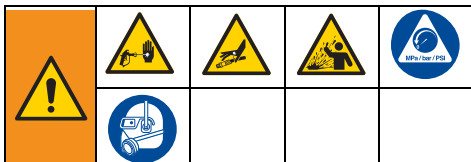


# Pressure Relief Procedure

## Pressure Relief Procedure

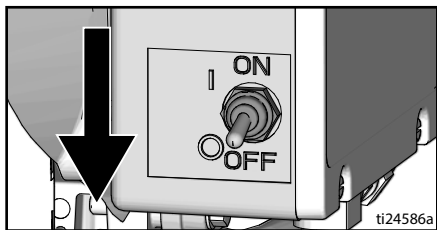


Follow the Pressure Relief Procedure whenever you see this symbol.

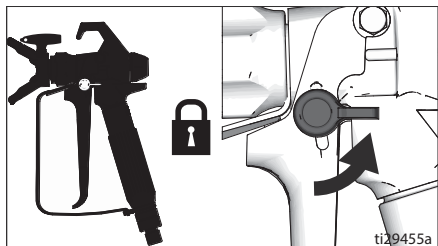


This equipment stays pressurized until pressure is manually relieved. To help prevent serious injury from pressurized fluid, such as skin injection, splashed fluid and moving parts, follow the **Pressure Relief Procedure** whenever sprayer is stopped and before sprayer is cleaned or checked, and before equipment is serviced.

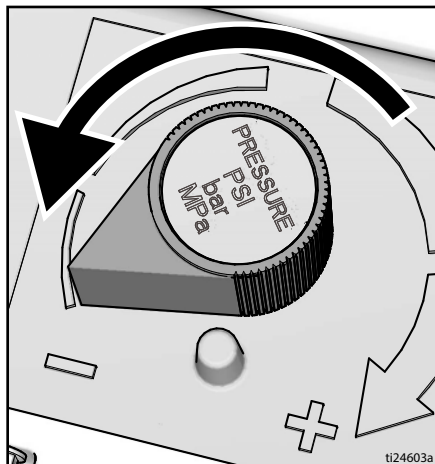
1. Turn the ON/OFF switch to **OFF** position. Wait 7 seconds for power to dissipate.



2. Engage the trigger lock.



3. Turn pressure control to lowest setting. Disengage the trigger lock.



4. Hold a metal part of the gun firmly to a grounded metal pail. Trigger the gun to relieve pressure.

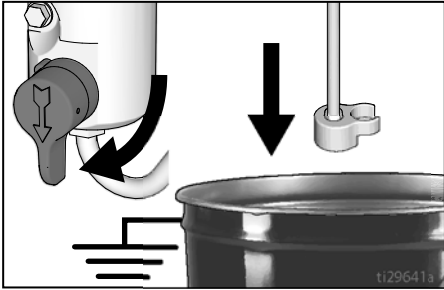


5. Engage the trigger lock.



# Pressure Relief Procedure

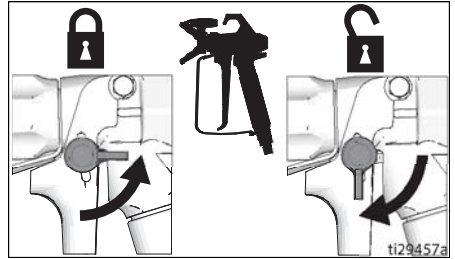
6. Put drain tube in a pail. Turn prime valve down. Leave prime valve in down (drain) position until you are ready to spray again.



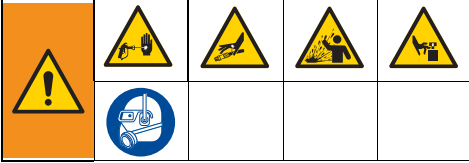
7. If you suspect the spray tip or hose is clogged or that pressure has not been fully relieved:
  - a. **VERY SLOWLY** loosen the tip guard retaining nut or the hose end coupling to relieve pressure gradually.
  - b. Loosen the nut or coupling completely.
  - c. Clear hose or tip obstruction.

## Trigger Lock

Always engage the trigger lock when sprayer is stopped to prevent the gun from being triggered accidentally by hand or if dropped or bumped.

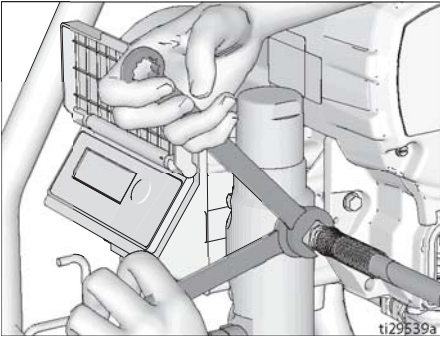


## Setup

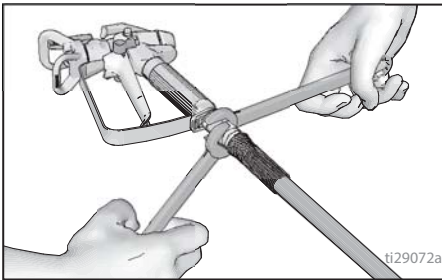


When unpacking sprayer for the first time or after long term storage perform setup procedure. When first setup is performed remove shipping plug from fluid outlet.

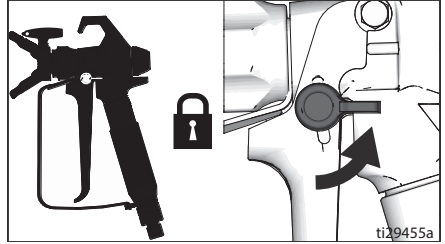
1. Connect airless hose to fluid outlet. Use wrenches to tighten securely.



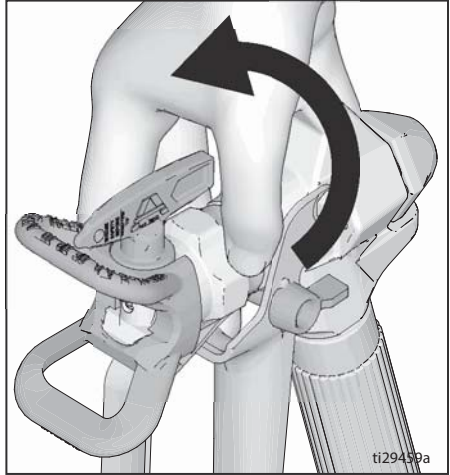
2. Connect other end of hose to gun.



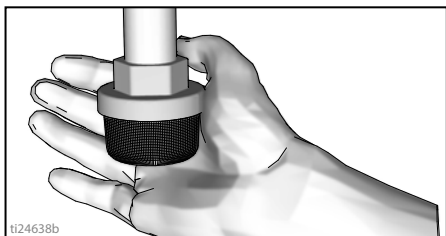
3. Use wrenches to tighten securely.
4. Engage trigger lock.



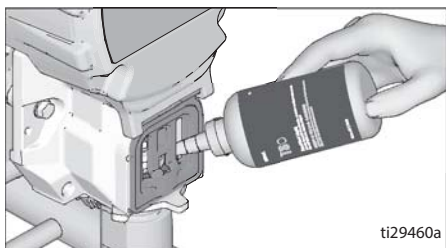
5. Remove tip guard.



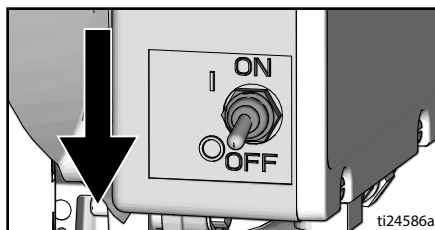
6. When unpacking sprayer for the first time remove packaging materials from inlet strainer. After long term storage check inlet strainer for clogs and debris.



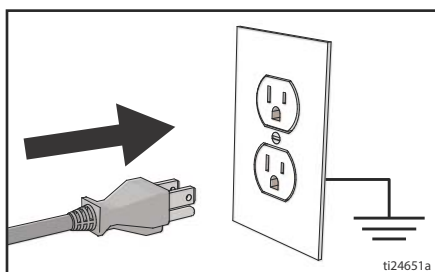
7. Fill throat packing nut with TSO to prevent premature packing wear. Do this daily or each time you spray.
- Place the TSO bottle nozzle into the top center opening in the grill at the front of the sprayer.
  - Squeeze bottle to dispense enough TSO to fill the space between the pump rod and packing nut seal.



8. Make certain ON/OFF switch is OFF.

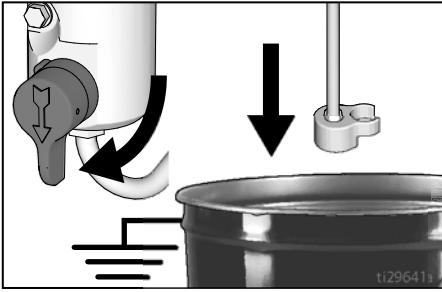


9. Plug power supply cord into a properly grounded electrical outlet.



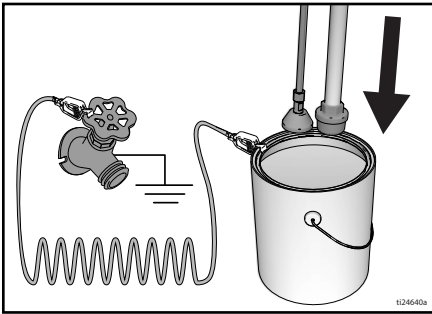
# Setup

10. Turn prime valve down.



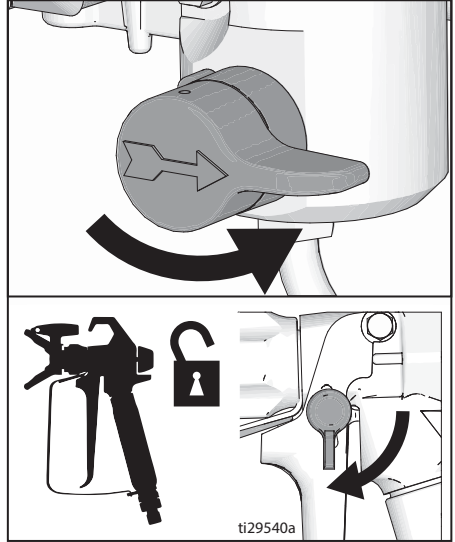
11. Place fluid intake with drain tube in grounded metal pail partially filled with flushing fluid. See **Grounding**, page 11.

**NOTE:** New sprayers are shipped with storage fluid that must be flushed out with mineral spirits prior to using the sprayer. Check flushing fluid for compatibility with material that is to be sprayed. A secondary flush with a compatible fluid may be necessary. Use water for latex paint, or mineral spirits for oil-based paint.



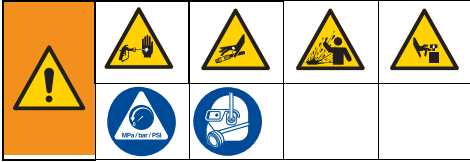
12. Turn pressure control to lowest setting.  
13. Turn ON/OFF switch to **ON** position.  
14. Increase pressure 1/2 turn to start motor. Allow fluid to flush through sprayer for one minute.

15. Turn prime valve horizontal. Disengage trigger lock.

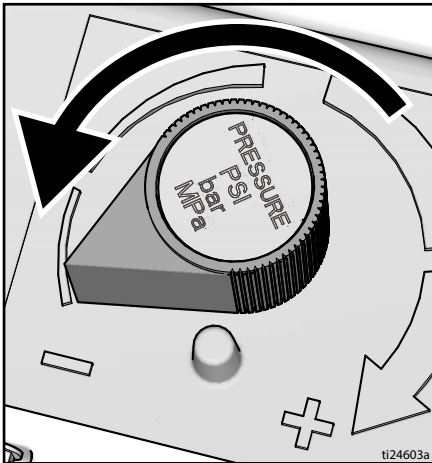


16. Hold a metal part of the gun firmly to a grounded metal pail. Trigger gun and flush until clean.  
17. Turn ON/OFF switch to **OFF** position.  
18. Engage trigger lock.  
19. After flushing storage fluid out of the sprayer empty pail. Replace fluid intake with drain tube in grounded metal pail partially filled with flushing fluid. Use water to flush water-based paint or mineral spirits to flush oil-based paint.  
20. Turn ON/OFF switch to **ON** position.  
21. Turn prime valve horizontal. Disengage trigger lock.  
22. Hold a metal part of the gun firmly to a grounded metal pail. Trigger gun and flush for one minute.  
23. Turn ON/OFF switch to **OFF** position.  
24. Engage trigger lock.  
25. Sprayer is now ready to start up and spray.

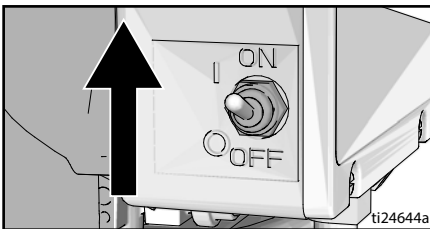
## Startup



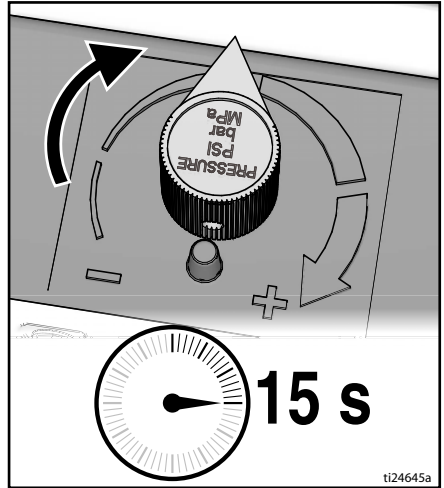
1. Perform **Pressure Relief Procedure**, page 12.
2. Turn pressure control to lowest pressure.



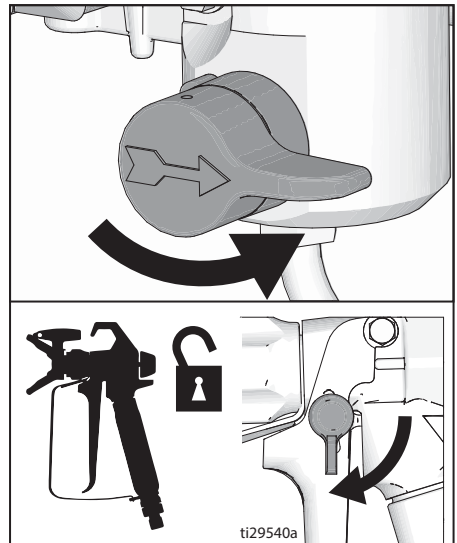
3. Place fluid intake in paint pail. Place drain tube in waste pail.
4. Turn ON/OFF switch to **ON** position.



5. Turn pressure control 1/2 turn to start motor. Allow paint to circulate through sprayer until paint flows out the drain tube.

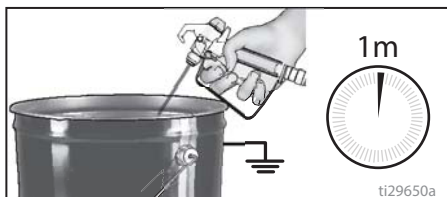


6. Turn prime valve horizontal. Disengage trigger lock.

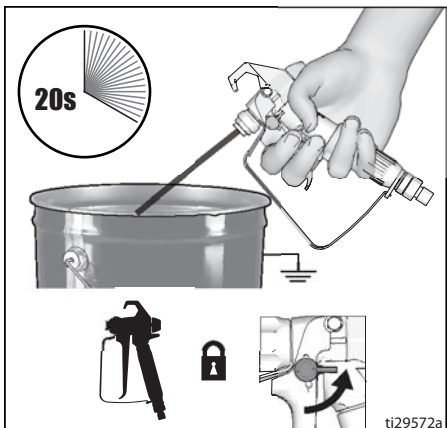


# Startup

7. Hold gun against grounded metal waste pail. Trigger gun until paint appears.

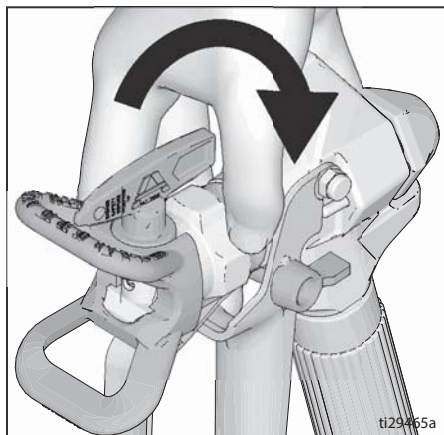


8. Move gun to paint pail and trigger for 20 seconds. Release trigger and allow sprayer to build pressure. Engage trigger lock.



High-pressure spray is able to inject toxins into the body and cause serious bodily injury. Do not stop leaks with hand or rag.

9. Inspect for leaks. If leaks occur, perform **Pressure Relief Procedure**, page 12, then tighten all fittings and repeat Startup procedure. If there are no leaks continue with the next step.
10. Screw tip assembly onto gun and tighten. See **Spray Tip Installation**, page 19. For gun assembly instructions, see separate gun manual.



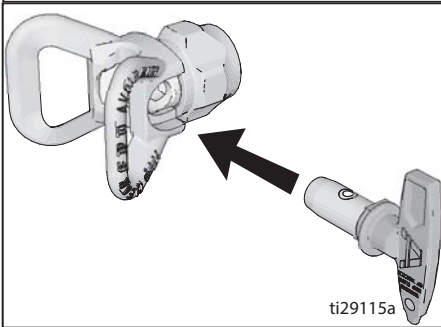
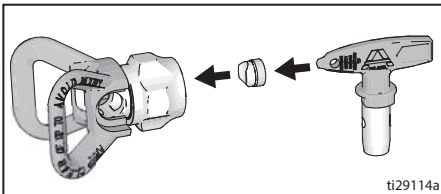
## Operation

### Spray Tip Installation

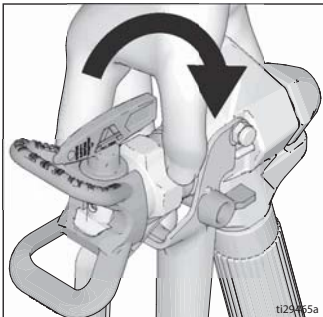


To avoid serious injury from skin injection do not put your hand in front of the spray tip when installing or removing the spray tip and tip guard.

1. Perform **Pressure Relief Procedure**, page 12.
2. Use spray tip to insert seal into tip guard. Insert Spray Tip.

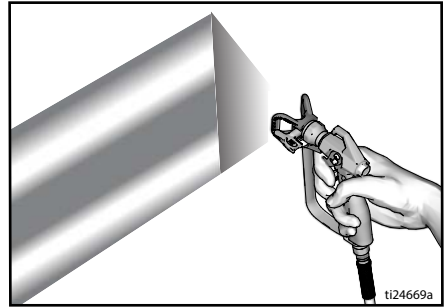


3. Screw assembly onto gun. Tighten.

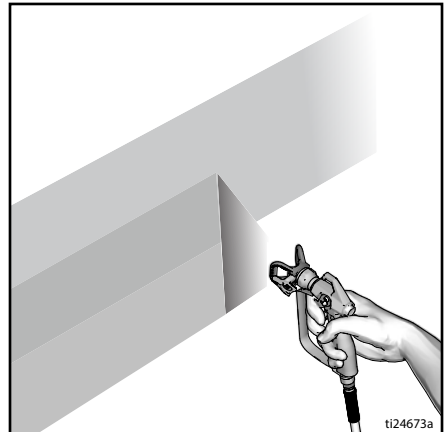


### Spray

1. Spray test pattern. Adjust pressure to eliminate heavy edges.



2. Use smaller tip size if pressure adjustment cannot eliminate heavy edges.
3. Hold gun perpendicular, 10-12 in. (25-30 cm) from surface. Spray back and forth; overlap by 50%.

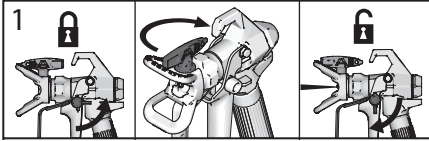


4. Trigger gun after moving. Release trigger before stopping. For additional spraying information, see separate gun manual.

## Clear Tip Clog

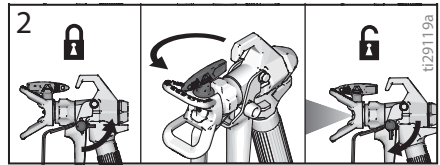
In the event that particles or debris clog the spray tip, this sprayer is designed with a reversible spray tip that quickly and easily clears the particles without disassembling the sprayer.

1. Engage trigger lock. Rotate spray tip to unclog position. Disengage trigger lock. Trigger gun at waste area to clear clog.



**NOTE:** If spray tip is difficult to rotate when turning to the unclog position, perform **Pressure Relief Procedure**, page 12, then turn Prime/Spray valve to spray position and repeat step 1.

2. Engage trigger lock. Rotate spray tip back to spray position. Disengage trigger lock and continue spraying.



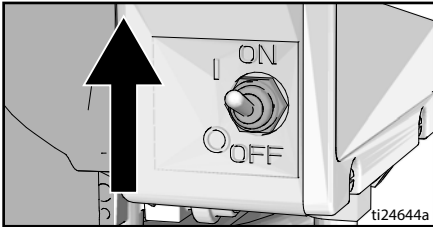
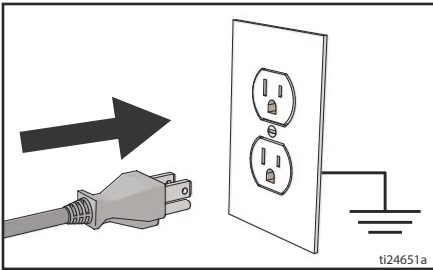


## Digital Display

Some models are equipped with a digital display. This section explains how to use this feature.

### Pressure Display

1. Perform **Pressure Relief Procedure**, page 12.
2. Plug sprayer into grounded outlet. Turn ON/OFF switch to **ON** position.

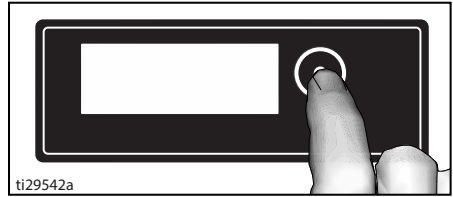


3. The pressure is displayed. Dashes indicate pressure is less than 200 psi (14 bar, 1.4 MPa).



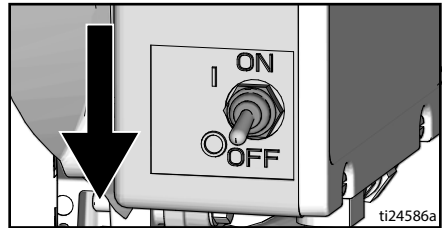
4. Press and release display button to display total running hours.

5. Press and hold display button to change pressure units (psi, bar, or MPa).

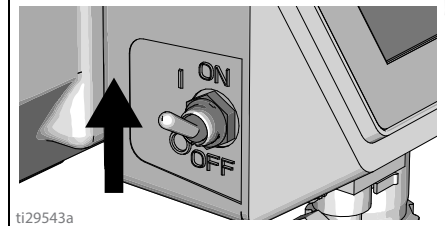


### Stored Data Display

1. Turn ON/OFF switch to **OFF** position.



2. To enter Stored Data Mode, press and hold display button and turn ON/OFF switch to **ON** position.



# Operation

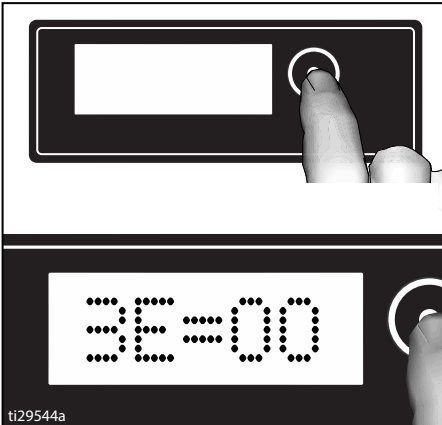
3. Sprayer model number is displayed followed by Data Point 1 which is the unit power on time in hours.



4. Press display button again to display Data Point 2. Motor run time in hours is displayed.



5. Press display button again to display Data Point 3. This will be the last error code.



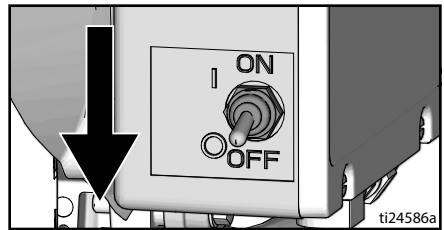
6. To erase last error code, press and hold display button.
7. Press display button again to display Data Point 4. The software revision is displayed.



8. Press display button again to return to Data Point 1.

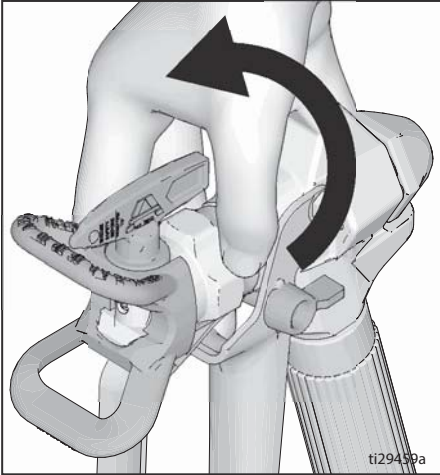


9. Turn ON/OFF switch to **OFF** position to exit Stored Data.

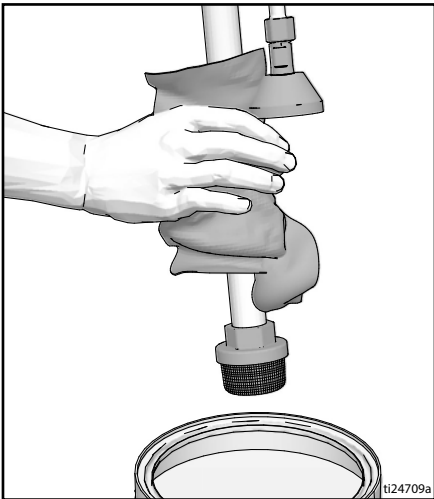


## Cleanup

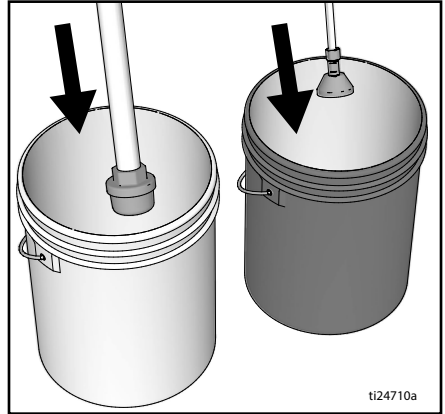
1. Perform **Pressure Relief Procedure**, page 12.
2. Remove tip guard and Spray Tip. For additional information, see separate gun manual.



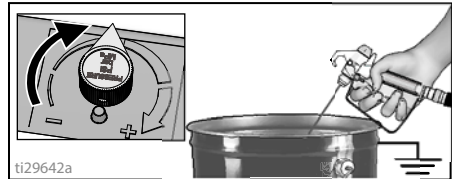
3. Remove fluid intake and drain tube from paint, wipe excess paint off outside.



4. Place fluid intake in flushing fluid. Use water for water base paint and mineral spirits for oil-based paint. Place drain tube in waste pail.



5. Turn prime valve horizontal.
6. Increase pressure 1/2 turn to start motor. Hold gun against paint pail. Disengage trigger lock. Trigger gun and increase pressure until the pump runs steady and flushing fluid appears.

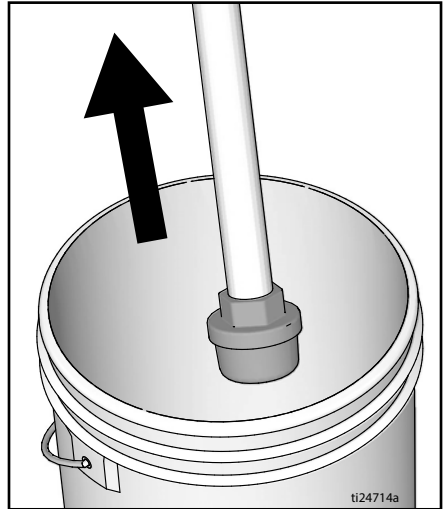


# Operation

7. Stop triggering gun. Move gun to waste pail, hold gun against pail, trigger gun to thoroughly flush system.
8. While continuing to trigger gun, turn prime valve down. Then, release gun trigger. Allow flushing fluid to circulate until fluid comes out of drain tube clear.

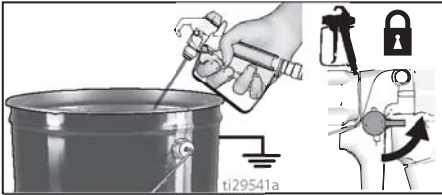


9. Raise fluid intake above flushing fluid.

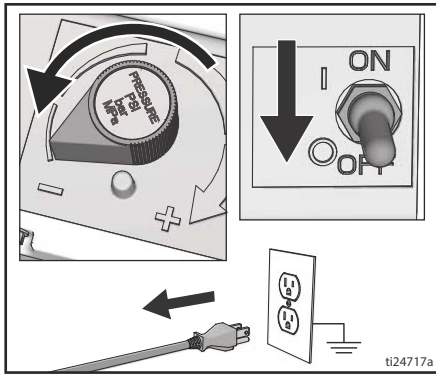


10. Turn prime valve horizontal. Trigger gun into flushing pail to purge fluid from hose.

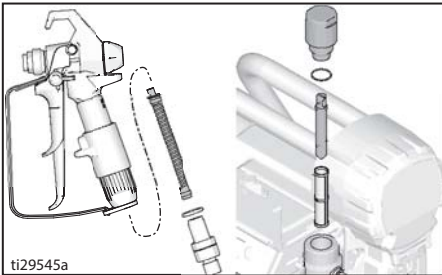
11. Engage trigger lock.



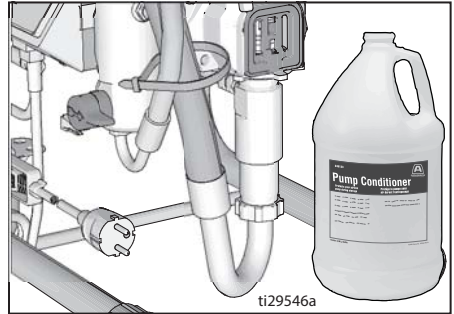
12. Turn pressure control knob to the lowest pressure setting and turn ON/OFF switch to **OFF** position. Disconnect power to sprayer.



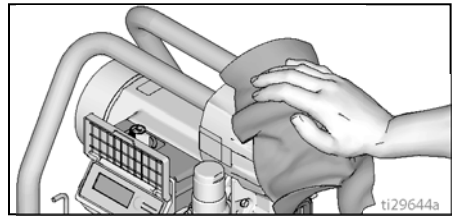
13. Remove filter from gun and sprayer if installed. Clean and inspect. Install filter. See separate gun manual.



14. If flushing with water, flush again with mineral spirits or Pump Conditioner to leave a protective coating to prevent freezing or corrosion.



15. Wipe sprayer, hose and gun with a rag soaked in water or mineral spirits.



## Maintenance

Routine maintenance is important to ensure proper operation of your sprayer. Maintenance includes performing routine actions which keep your sprayer in operation and prevents trouble in the future.



Activity	Interval
Inspect/clean sprayer filter, fluid inlet strainer, and gun filter.	Daily or each time you spray
Inspect motor shield vents for blockage.	Daily or each time you spray
Fill TSO by adding through TSO fill point.	Daily or each time you spray
Inspect motor brushes for wear. Brushes must be 1/2 in. (13mm) minimum length. NOTE: Brushes do not wear at the same rate on both sides of motor. Check both brushes.	Every 1000 gallons (3785 liters)
Check sprayer stall. With sprayer gun NOT triggered, sprayer motor should stall and not restart until gun is triggered again. If sprayer starts again with gun NOT triggered, inspect pump for internal/external leaks and check prime valve for leaks.	Every 1000 gallons (3785 liters)
Throat packing adjustment When pump packing begins to leak after extended use, tighten packing nut down until leakage stops or lessens. This allows approximately 100 gallons of additional operation before a repacking is required. Packing nut can be tightened without O-ring removal.	As necessary based on usage

## Troubleshooting

### Mechanical/Fluid Flow



1. Follow **Pressure Relief Procedure**, page 13, before checking or repairing.
2. Check all possible problems and causes before disassembling the unit.

Problem	What to Check If check is OK, go to next check	What to Do When check is not OK, refer to this column
<p><b>For units with display:</b> E=0X is displayed.</p> <p><b>For units with no display:</b> Control board status light is blinking or the light is off and there is power to the sprayer.</p>	Fault condition exists.	Determine fault correction from <b>Electrical</b> , page 30.
Pump output is low	Spray tip worn.	Follow <b>Pressure Relief Procedure</b> , page 12, then replace tip. See separate gun or tip manual.
	Spray tip clogged.	Relieve pressure. Check and clean spray tip.
	Paint supply.	Refill and reprime pump.
	Intake strainer clogged.	Remove and clean, then reinstall.
	Intake valve ball and piston ball are not seating properly.	Remove intake valve and clean. Check balls and seats for nicks; replace if necessary. See pump manual. Strain paint before using to remove particles that could clog pump.
	Fluid filter or tip filter is clogged or dirty.	Clean filter.
	Prime valve leaking.	Follow <b>Pressure Relief Procedure</b> , page 12, then repair prime valve.
	Verify pump does not continue to stroke when gun trigger is released. (Prime valve not leaking.)	Service pump. See pump manual.
	Leaking around throat packing nut which may indicate worn or damaged packings.	Replace packings. See pump manual. Also check piston valve seat for hardened paint or nicks and replace if necessary. Tighten packing nut/wet-cup.

# Troubleshooting

Problem	What to Check If check is OK, go to next check	What to Do When check is not OK, refer to this column
Pump output is low	Pump rod damage.	Repair pump. See pump manual.
	Low stall pressure.	Turn pressure knob fully clockwise. Make sure pressure control knob is properly installed to allow full clockwise position. If problem persists, replace pressure transducer.
	Piston packings are worn or damaged.	Replace packings. See pump manual.
	O-ring in pump is worn or damaged.	Replace o-ring. See pump manual.
	Intake valve ball is packed with material.	Clean intake valve. See pump manual.
	Large pressure drop in hose with heavy materials.	Reduce overall length of hose.
	Check extension cord for correct size.	See <b>Extension Cords</b> , page 11.
	Loose motor brushes and terminals.	Tighten terminal screws. Replace brushes if leads are damaged.
	Worn motor brushes. (Brushes must be 1/2 in. [13mm] minimum length).	Replace brushes.
	Broken and misaligned motor brush springs. Rolled portion of spring must rest squarely on top of brush.	Replace spring if broken. Realign spring with brush.
	Motor brushes are binding in brush holders.	Clean brush holders, remove carbon dust with a small cleaning brush. Align brush lead with slot in brush holder to assure free vertical brush movement.
Motor runs but pump does not stroke	Connecting rod assembly damaged. See pump manual.	Replace connecting rod assembly. See pump manual.
	Gears or drive housing damaged.	Inspect drive housing assembly and gears for damage and replace if necessary.
Excessive paint leakage into throat packing nut	Throat packing nut is loose.	Remove throat packing nut spacer. Tighten throat packing nut just enough to stop leakage.
	Throat packings are worn or damaged.	Replace packings. See pump manual.
	Displacement rod is worn or damaged.	Replace rod. See pump manual.



<b>Problem</b>	<b>What to Check If check is OK, go to next check</b>	<b>What to Do When check is not OK, refer to this column</b>
Fluid is spitting from gun	Air in pump or hose.	Check and tighten all fluid connections. Cycle pump as slowly as possible during priming.
	Spray tip is partially clogged.	Clean tip. See <b>Cleanup</b> , page 23.
	Fluid supply is low or empty.	Refill fluid supply. Prime pump. See pump manual. Check fluid supply often to prevent running pump dry.
Pump is difficult to prime	Air in pump or hose.	Check and tighten all fluid connections. Cycle pump as slowly as possible during priming.
	Intake valve is leaking.	Clean intake valve. Be sure ball seat is not nicked or worn and that ball seats well. Reassemble valve.
	Pump packings are worn.	Replace pump packings. See pump manual.
	Paint is too thick.	Thin the paint according to supplier recommendations.
Sprayer operates for 5 to 10 minutes then stops	Pump packing nut too tight. When pump packing nut is too tight the packings on the pump rod restrict pump action and overloads the motor.	Loosen pump packing nut. Check for leaks around throat. If necessary, replace pump packings. See Pump manual.

# Troubleshooting

## Electrical

Symptom: Sprayer does not run, stops running, or will not shut off.



Perform **Pressure Relief Procedure**, page 13.

1. Plug sprayer into correct voltage, grounded outlet.
2. Turn the ON/OFF switch **OFF** wait 30 seconds and then turn power back **ON** again (this ensures sprayer is in normal run mode).
3. Turn pressure control knob clockwise 1/2 turn.

4. View digital display or remove control box cover to view control board status light. To determine which code (or any other code besides voltage supply) refer to the control board status light. Turn the ON/OFF switch **OFF**, remove the control cover then turn power back **ON**. Observe the status light. Blinking LED total count equals the error code (for example: two blinks equals CODE 02).

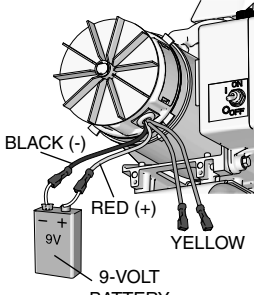


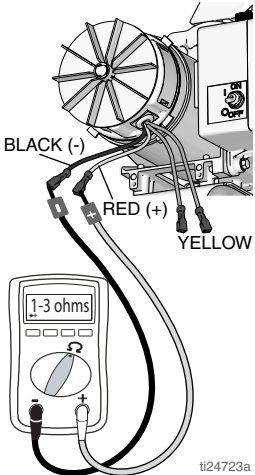
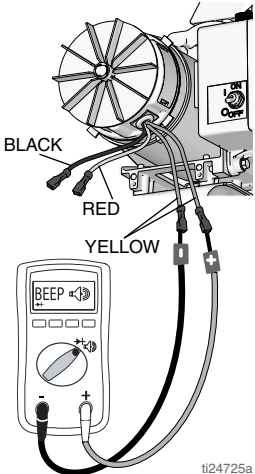
Keep clear of electrical and moving parts during troubleshooting procedures. To avoid electrical shock hazards when covers are removed for troubleshooting, wait 7 seconds after disconnecting power cord for stored electricity to dissipate.

Problem	What to Check	How to check
Sprayer does not run at all AND Display is blank OR Control board status light never lights	See flow chart, page 36.	
Sprayer does not shut off AND Display shows E=02 OR Control board status light blinks 2 times repeatedly	Control board.	Replace control board.

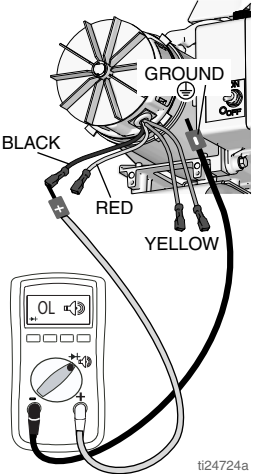
Problem	What to Check	How to check
<p>Sprayer does not run at all  AND  Display shows E=02  OR  Control board status light blinks 2 times repeatedly</p>	<p>Check transducer or transducer connections</p>	<p>Make sure there is no pressure in the system (see <b>Pressure Relief Procedure</b>, page 12). Check fluid path for clogs, such as clogged filter.</p> <p>Use airless paint spray hose with no metal braid. A small hose or metal braid hose may result in high-pressure spikes.</p> <p>Turn ON/OFF switch <b>OFF</b> and disconnect power to sprayer.</p> <p>Check transducer and connections to control board.</p> <p>Disconnect transducer from control board socket. Check that transducer and control board contacts are clean and secure.</p> <p>Reconnect transducer to control board socket. Connect power, turn ON/OFF switch <b>ON</b> and control knob 1/2 turn clockwise. If sprayer does not run properly, turn ON/OFF switch <b>OFF</b> and go to next step.</p> <p>Install new transducer. Connect power, turn ON/OFF switch <b>ON</b> and control knob 1/2 turn clockwise. Replace control board if sprayer does not run properly.</p>
<p>Sprayer does not run at all  AND  Display shows E=03  OR  Control board status light blinks 3 times repeatedly</p>	<p>Check transducer or transducer connections (control board is not detecting a pressure signal).</p>	<p>Turn ON/OFF switch <b>OFF</b> and disconnect power to sprayer.</p> <p>Check transducer and connections to control board.</p> <p>Disconnect transducer from control board socket. Check to see if transducer and control board contacts are clean and secure.</p> <p>Reconnect transducer to control board socket. Connect power, turn ON/OFF switch <b>ON</b> and control knob to 1/2 turn clockwise. If sprayer does not run, turn ON/OFF switch <b>OFF</b> and go to next step.</p> <p>Connect a confirmed working transducer to control board socket.</p> <p>Turn ON/OFF switch <b>ON</b> and control knob to 1/2 turn clockwise. If sprayer runs, install new transducer. Replace control board if sprayer does not run.</p>

# Troubleshooting

Problem	What to Check	How to check
Sprayer does not run at all AND Display shows E=04 OR Control board status light blinks 4 times repeatedly	Check voltage supply to the sprayer (control board is detecting a multiple voltage surges).	Turn ON/OFF switch <b>OFF</b> and disconnect power to sprayer.  Locate a good voltage supply to prevent damage to electronics.
Sprayer does not run at all AND Display shows E=05 OR Control board status light blinks 5 times repeatedly	Control is commanding motor to run but motor shaft does not rotate. Possibly locked rotor condition, an open connection exists between motor and control, there is a problem with motor or control board, or motor amp draw is excessive.	<ol style="list-style-type: none"> <li>1. Remove pump and try to run sprayer. If motor runs, check for locked or frozen pump or drive train. If sprayer does not run, continue to step 2.</li> <li>2. Turn ON/OFF switch <b>OFF</b> and disconnect power to sprayer.</li> <li>3. Disconnect motor connector(s) from control board socket(s). Check that motor connector and control board contacts are clean and secure. If contacts are clean and secure, continue to step 4.</li> <li>4. Connect a DC voltmeter across the two motor wires – red &amp; black spin the motor fan and check for a voltage to register on the meter. If voltage is not present, check brushes. If OK, replace motor. If voltage is present, go to step 5.</li> <li>5. Perform a spin test by connecting a 9 –12 Volt battery to the motor leads. Motor leads may vary in style and size. Locate the two wires going to the carbon brushes normally Red and Black. Motor should spin when battery is connected to the motor leads.</li> </ol> <div style="text-align: right; margin-top: 20px;">  <p>BLACK (-) RED (+) YELLOW 9-VOLT BATTERY</p> <p style="text-align: right;">ti24722a</p> </div>

Problem	What to Check	How to check
		<p data-bbox="713 196 1027 310">6. Connect the Red and Black leads from the motor to an Ohm meter. Rotate the motor while checking for opens. If an open is found replace the motor.</p>  <p data-bbox="942 781 995 797">ti24723a</p> <p data-bbox="713 821 1017 984">7. Check motor thermal protection. Motor should be at ambient temperature for this test. Connect the yellow leads from the motor to an Ohm meter. Meter should indicate continuity or Ohms depending on the motor type.</p>  <p data-bbox="942 1471 995 1487">ti24725a</p>

# Troubleshooting

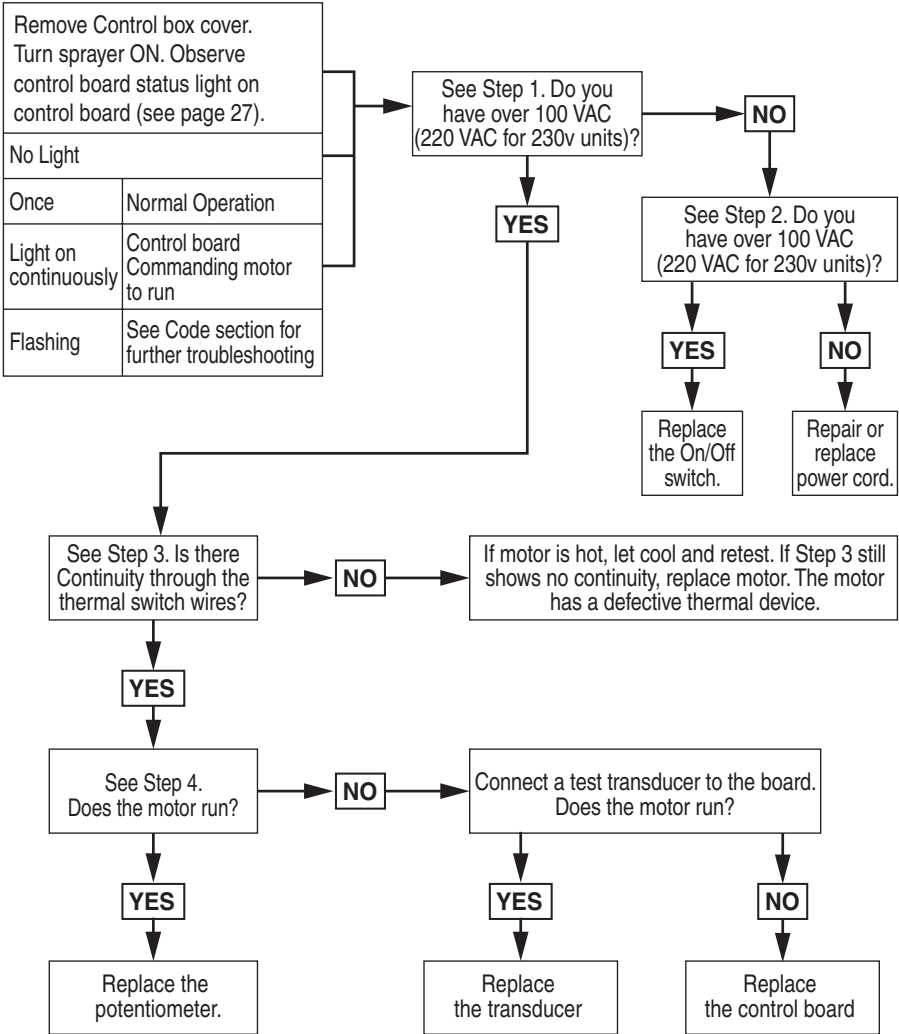
Problem	What to Check	How to check
		<p>8. Use an Ohm meter to check motor for shorts. Connect (–) meter lead to motor case. Move the (+) meter lead to each motor wire. Meter should read open on all wires.</p>  <p style="text-align: right; font-size: small;">ti24724a</p>
<p>Sprayer does not run at all AND Display shows E=06 OR Control board status light blinks 6 times repeatedly</p>	<p>Motor is hot or there is a fault in the motor thermal device.</p>	<p>Allow sprayer to cool. If sprayer runs when cool, correct cause of overheating. Keep sprayer in cooler location with good ventilation. Make sure motor air intake is not blocked. If sprayer still does not run, replace motor.</p>
<p>Sprayer does not run at all AND Display shows E=08 OR Control board status light blinks 8 times repeatedly</p>	<p>Check voltage supply to the sprayer (incoming voltage too low for sprayer operation).</p>	<p>Turn ON/OFF switch OFF and disconnect power to the sprayer.</p>

<b>Problem</b>	<b>What to Check</b>	<b>How to check</b>
Basic electrical problems	Motor leads are securely fastened and properly mated	Replace loose terminals; crimp to leads. Be sure terminal are firmly connected.  Clean circuit board terminals. Securely reconnect leads.
	For loose motor brush lead connections and terminals.	Tighten terminal screws. Replace brushes if leads are damaged.
	Brushes must be 1/2 in. [13mm] minimum. NOTE: Brushes do not wear at the same rate on both sides of motor. Check both brushes.	Replace brushes.
	Broken or misaligned motor brush springs. Rolled portion of spring must rest squarely on top of brush.	Replace spring if broken. Realign spring with brush.
	Motor brushes may be binding in brush holders.	Clean brush holders. Remove carbon with small cleaning brush. Align brush leads with slot in brush holder to assure free vertical brush movement.
	Motor armature commutator for burn spots, gouges or extreme roughness.	Remove motor and have motor shop resurface commutator if possible.

# Troubleshooting

## Sprayer Will Not Run

(See following page for steps)

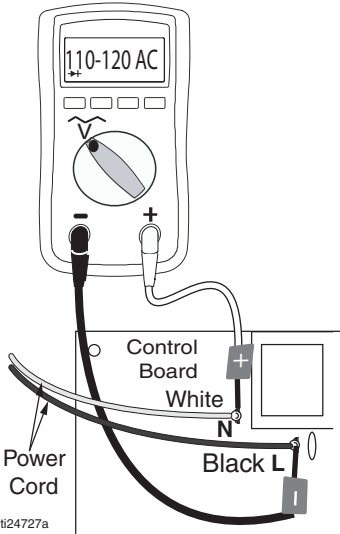


t24726a



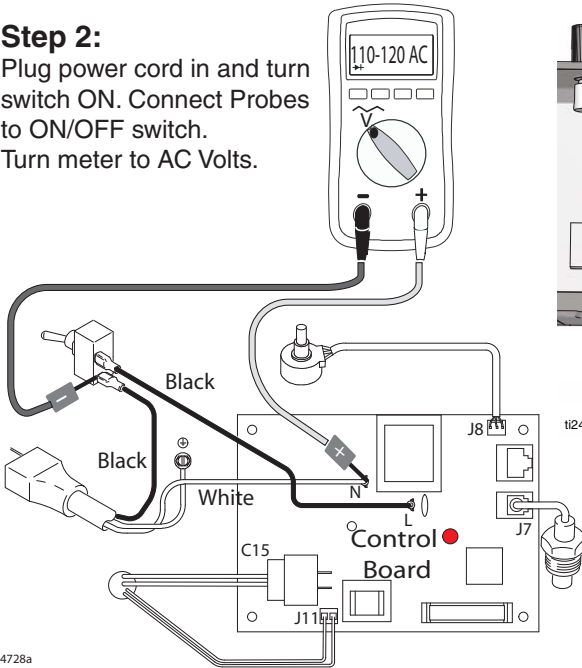
## Step 1:

Plug Power cord in and turn switch ON. Connect probes to L and N on control board. Turn meter to AC Volts.



## Step 2:

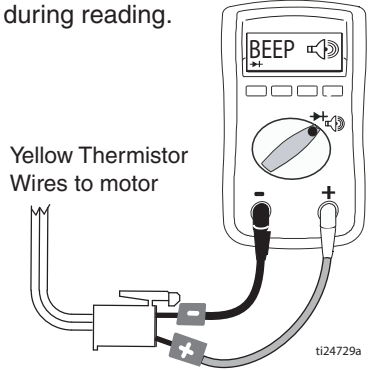
Plug power cord in and turn switch ON. Connect Probes to ON/OFF switch. Turn meter to AC Volts.



## Step 3:

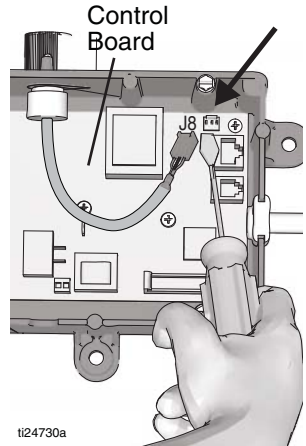
Check motor thermal switch. Unplug yellow wires. Meter should read continuity.

**NOTE:** Motor should be cool during reading.



## Step 4:

Disconnect potentiometer. Plug power cord in and turn switch ON.



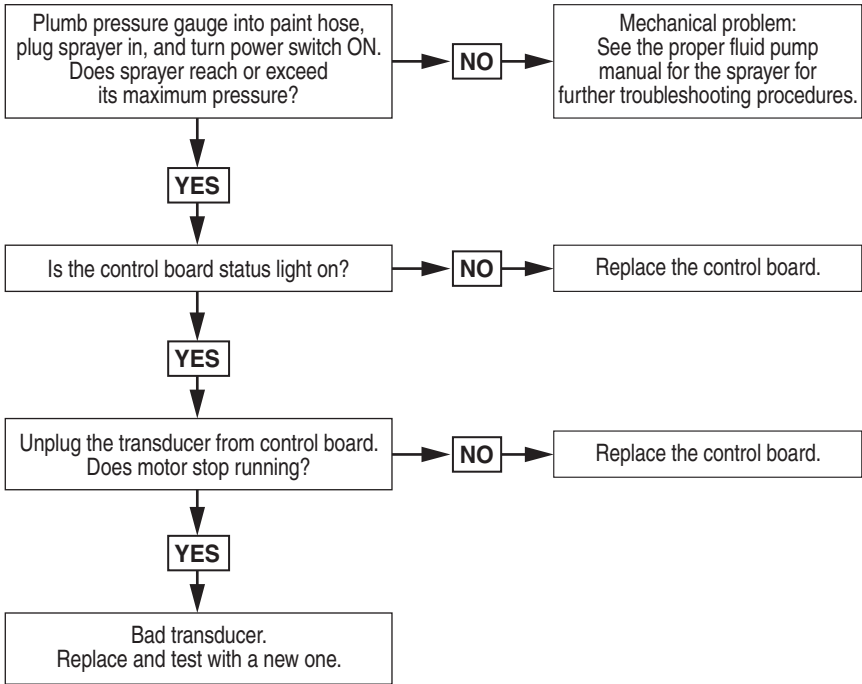
# Troubleshooting

## Sprayer Will Not Shut Off

1. Perform **Pressure Relief Procedure**, page 12. Leave prime valve open (down) and turn ON/OFF switch **OFF**.

2. Remove control box cover so the control board status light can be viewed if available.


## Troubleshooting Procedure

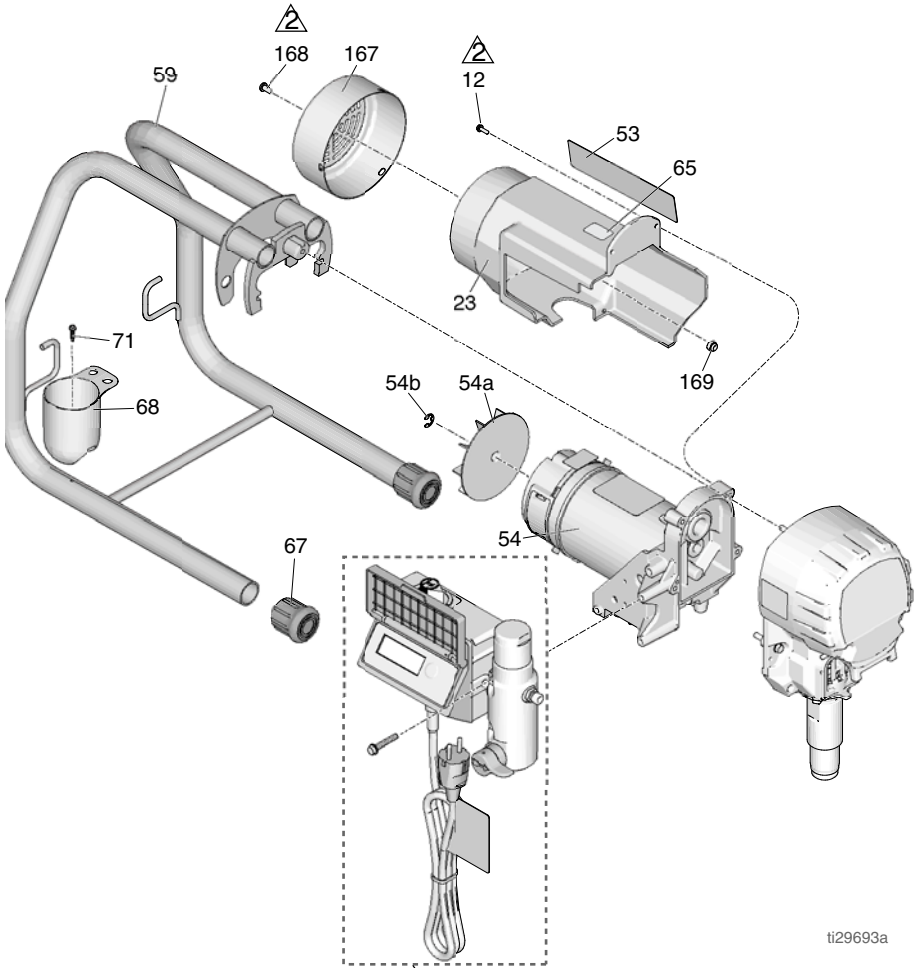


ti24731a

## Stand Sprayer Parts

Models 17M197, 17M208

Ref.	Torque
	30-35 in-lb (3.4 - 4.0 N•m)



ti29693a

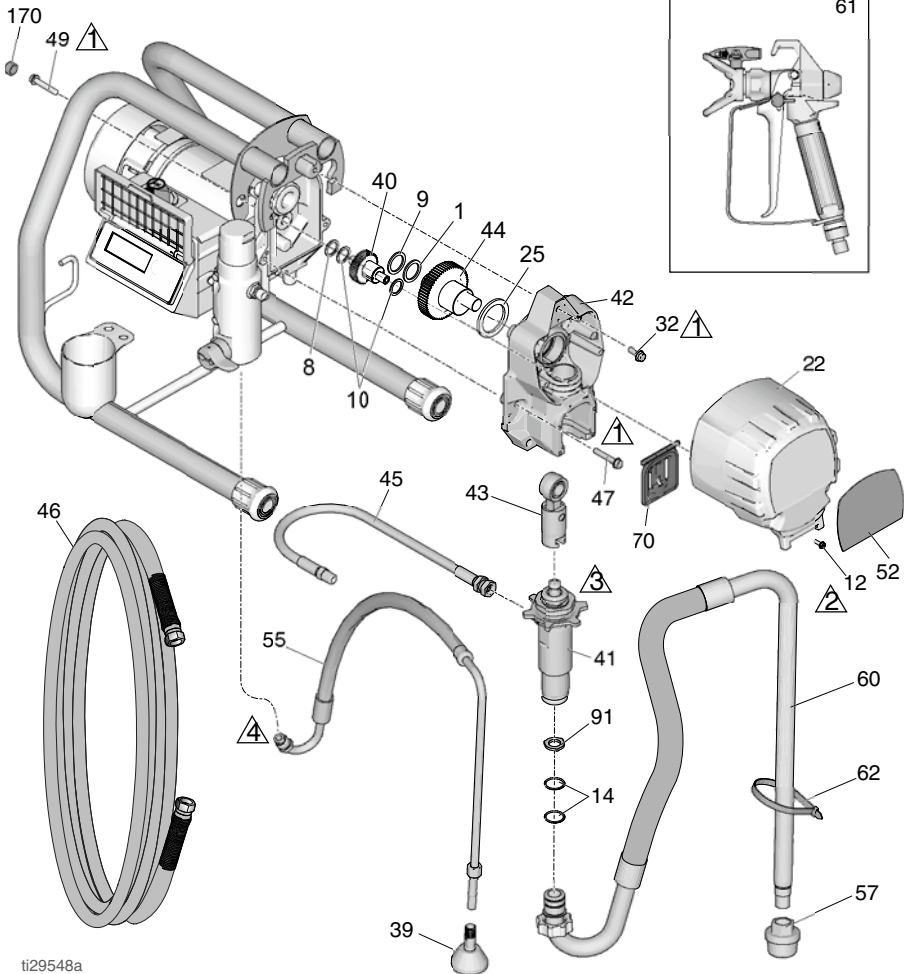
See page 51

# Stand Sprayer Parts

## Stand Sprayer Parts

Models 17M197, 17M208

Ref.	Torque
△1	140-160 in-lb (15.8 - 18.1 N•m)
△2	30-35 in-lb (3.4 - 4.0 N•m)
△3	Hammer tight
△4	25-30 ft-lb (33.9 - 40.7 N•m)



ti29548a

## Stand Sprayers Parts List

### Models 17M197, 17M208

Ref. Part	Description	Qty.	Ref. Part	Description	Qty.
1	107434 BEARING, thrust	1	53	** LABEL, side	1
8	116073 WASHER, thrust	1	54*	MOTOR, <i>includes 54a, 54b</i>	1
9	116074 WASHER, thrust	1		287015 110/120V	
10	116079 BEARING, thrust	2		287060 230V	
12	117501 SCREW, mach, hex washer hd	5	54a	118716 RING, retaining	1
14	117559 O-RING	2	54b	248189 FAN, motor, <i>includes 54a</i>	1
22	17R007 COVER, front, painted	1	55	246381 HOSE, drain, stand, <i>includes 39,62</i>	1
23	17N272 SHIELD, motor, <i>includes 167,168,169</i>	1	57	187651 STRAINER, 3/4"-16	1
25	180131 BEARING, thrust	1	59	17M429 FRAME, standmount	1
32	113796 SCREW, flanged, hex	1	60	17N275 KIT, hose suction <i>includes 14, 57, 91</i>	1
34▲	179960 CARD, medical alert (not shown)	1	61	** GUN, spray	1
39	241920 DEFLECTOR, threaded	1	62	276888 CLIP, drain line	1
40	249194 GEAR, reducer	1	65▲	16G596 LABEL, warning	1
41	PUMP, displacement	1	67	331048 CAP, leg	2
	17M991 North America/Europe		68	195177 CUP, suction/drain	1
	17M990 Asia/ANZ/South America		70	17C484 COVER, pump rod	1
42	17N294 HOUSING, drive, PC, <i>includes 47</i>	1	71	122667 SCREW, drill, hex washer head	1
43	24W640 ROD, connecting, PC	1	91	115099 WASHER, hose	1
44	GEAR, crankshaft, <i>includes 25</i>	1	167	331786 COVER, fan	1
	24X020 555 models		168	136192 SCREW	1
	24X021 655/S2550 models		169	136217 NUT	1
45	15M671 KIT, hose, cpld	1	170	17N291 PLUG, hole, 5/8"	2
46	** HOSE, cpld, 1/4 in. x 50 ft	1	**	Pump Fluids	
47	117493 SCREW, mach, hex washer hd	4			
49	115495 SCREW, mach, hex washer hd	2			
52	** LABEL, front	1			

\* For motor brush kit order 287735



\*\* See addendum for part number

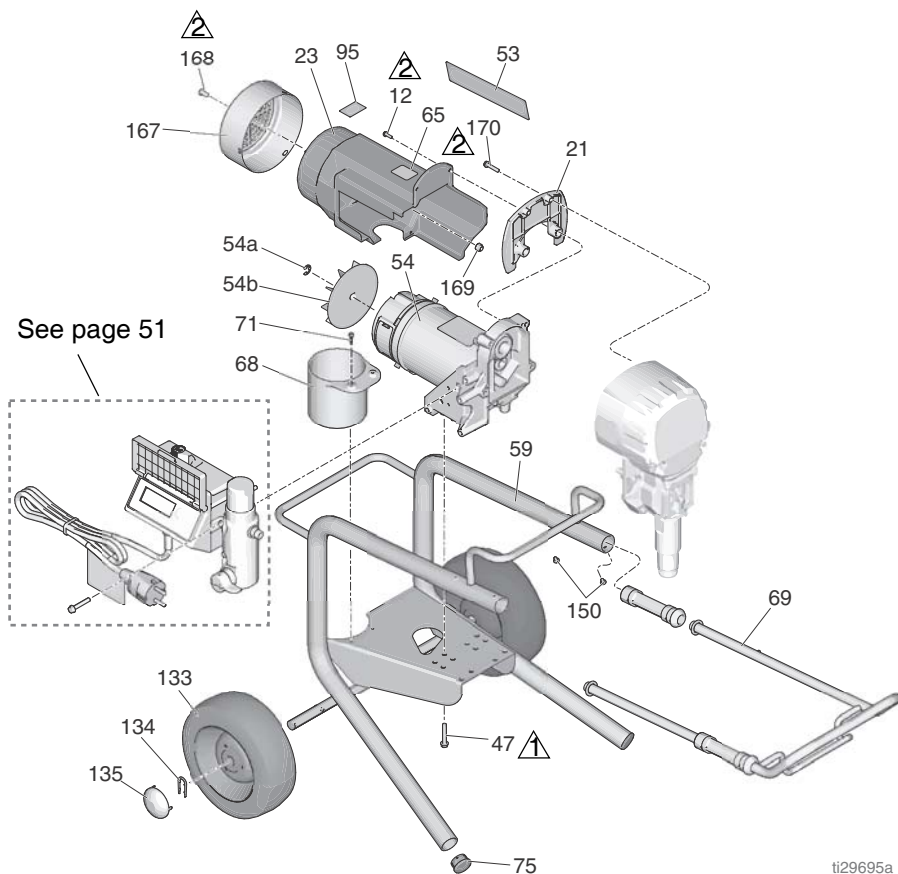
▲ Replacement Danger and Warning labels, tags, and cards are available at no cost.

# Lo-Boy Sprayer Parts

## Lo-Boy Sprayer Parts

Models 17M201

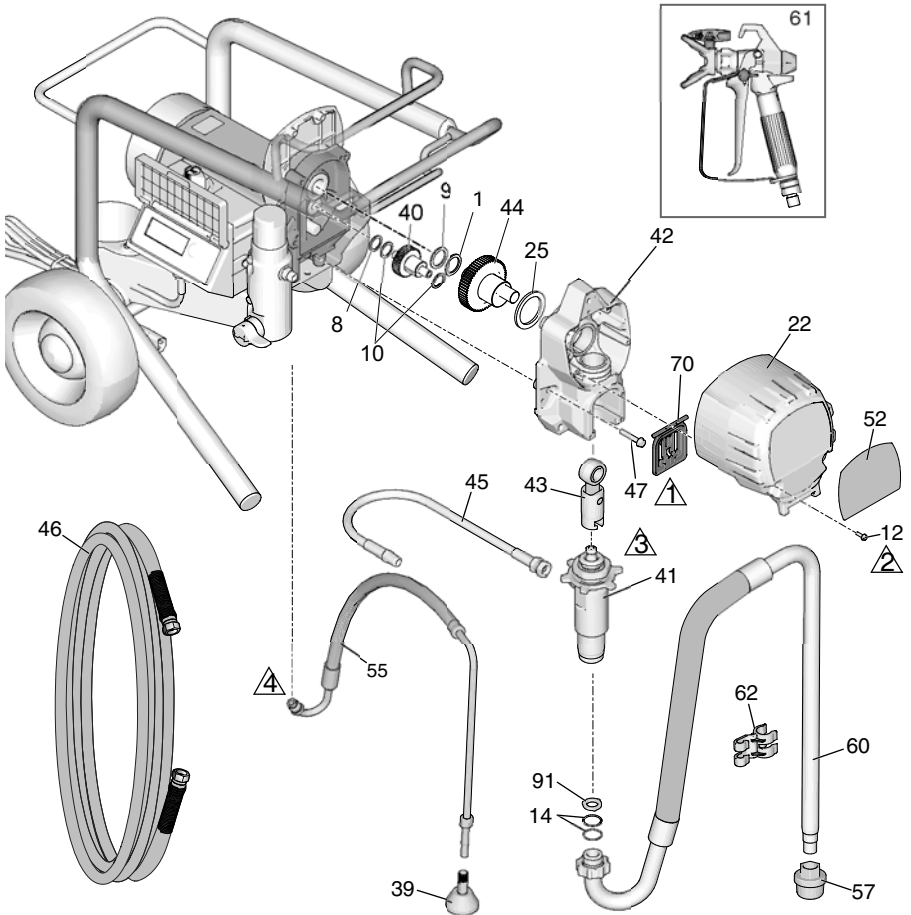
Ref.	Torque
 1	140-160 in-lb (15.8 - 18.1 N•m)
 2	30-35 in-lb (3.4 - 4.0 N•m)



## Lo-Boy Sprayer Parts

Models 17M201

Ref.	Torque
①	140-160 in-lb (15.8 - 18.1 N•m)
②	30-35 in-lb (3.4 - 4.0 N•m)
③	Hammer tight
④	25-30 ft-lb (33.9 - 40.7 N•m)



ti29696a

# Lo-Boy Sprayer Parts

## Lo-Boy Sprayers Parts List

### Models 17M201

Ref. Part	Description	Qty.	Ref. Part	Description	Qty.
1	107434 BEARING, thrust	1	287060	MOTOR, 230V <i>includes 54a, 54b</i>	
8	116073 WASHER, thrust	1	54a	118716 RING, retaining	1
9	116074 WASHER, thrust	1	54b	248189 FAN, motor, <i>includes 54a</i>	1
10	116079 BEARING, thrust	2	55	246381 HOSE, drain, stand, <i>includes 39,62</i>	1
12	117501 SCREW, mach, hex washer hd	5	57	187651 STRAINER, 3/4"-16	1
14	117559 O-ring	2	59	246250 FRAME, cart, lo	1
21	17M897 PLUG, shield, painted	1	60	17N275 KIT, hose, suction set <i>includes 14, 57, 91</i>	1
22	17R007 COVER, front, painted	1	61	** GUN, spray	1
23	17N272 KIT, shield, motor, painted, <i>includes 167, 168, 169</i>	1	62	276888 CLIP, drain line	1
25	180131 BEARING, thrust	1	65▲	16G596 LABEL, warning	1
34▲	179960 CARD, medical alert (not shown)	1	68	15B870 CUP, suction/drain	1
39	241920 DEFLECTOR, threaded	1	69	287488 HANDLE, assembly, lo cart	1
40	249194 GEAR, reducer	1	70	17C484 COVER, pump rod	1
41	17M991 PUMP, displacement North America/Europe	1	71	122667 SCREW, drill, hex washer head	2
	17M990 Asia/ANZ/South America		75	107310 PLUG, tubing	2
42	24W817 HOUSING, drive, PC, <i>includes 47</i>	1	91	115099 WASHER, hose	1
43	24W640 ROD, connecting, PC	1	95	15Y118 LABEL, USA	1
44	24X020 GEAR, crankshaft, <i>includes 25</i>	1	133	195766 WHEEL, semi pneumatic	2
	24X020 555 models		134	15B999 CLIP, retaining	2
	24X021 655/S2550 models		135	104811 CAP, hub	2
45	15M671 HOSE, cpld	1	150	109032 SCREW, pan hd	4
46	** HOSE, cpld, 1/4 in. x 50 ft	1	167	331786 COVER, fan	1
47	117493 SCREW, mach, hex washer hd	8	168	136192 SCREW	1
52	** LABEL, front	1	169	136217 NUT	1
53	** LABEL, side	1	170	17M806 SCREW, hex	2
54*	287015 MOTOR, 110V/120V <i>includes 54a, 54b</i>	1	**	Pump Fluids	

\* For motor brush kit order 287735


\*\* See addendum for part number

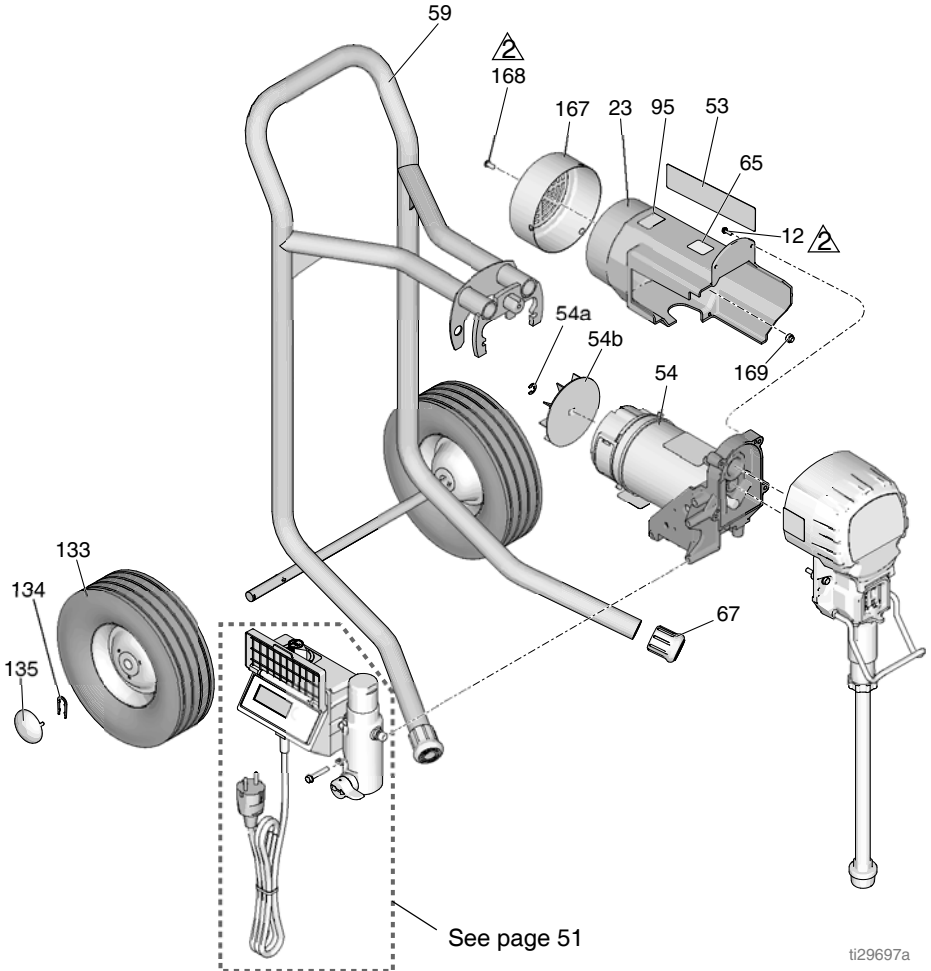
▲ Replacement Danger and Warning labels, tags, and cards are available at no cost.



## Hi-Boy Sprayer Parts

17M198, 17M200, 17M209, 17M211

Ref.	Torque
	30-35 in-lb (3.4 - 4.0 N•m)



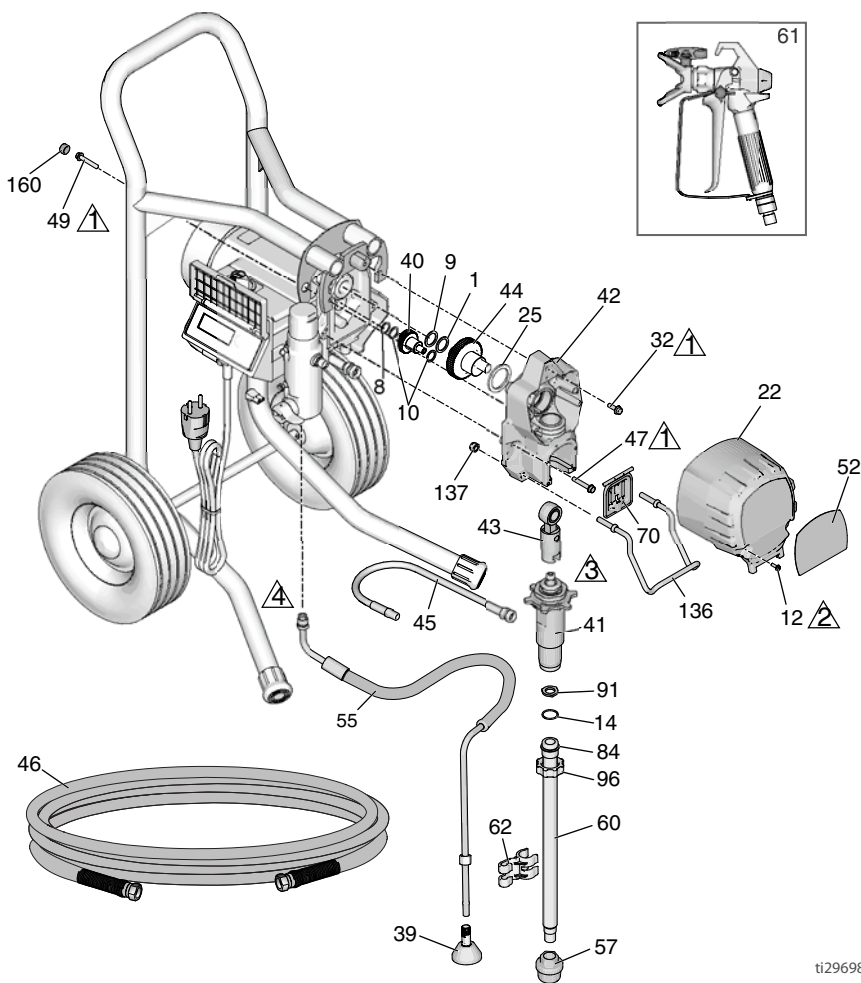
ti29697a

# Hi-Boy Sprayer Parts

## Hi-Boy Sprayer Parts

17M198, 17M200, 17M209, 17M211

Ref.	Torque
▲1	140-160 in-lb (15.8 - 18.1 N•m)
▲2	30-35 in-lb (3.4 - 4.0 N•m)
▲3	Hammer tight
▲4	25-30 ft-lb (33.8 - 40.6 N•m)



ti29698a

## Hi-Boy Sprayers Parts List

17M198, 17M200, 17M209, 17M211

Ref. Part	Description	Qty.	Ref. Part	Description	Qty.
1	107434 BEARING, thrust	1	54*	MOTOR, <i>includes 54a, 54b</i>	1
8	116073 WASHER, thrust	1	287015	110V	
9	116074 WASHER, thrust	1	287060	230V	
10	116079 BEARING, thrust	2	54a	118716 RING, retaining	1
12	117501 SCREW, mach, hex washer hd	5	54b	248189 FAN, motor, <i>includes 54a</i>	1
14	103413 O-ring	1	55	244240 HOSE, drain, <i>includes 39</i>	1
22	17R007 COVER, front, painted	1	57	187651 STRAINER, 3/4"-16	1
23	17N272 KIT, shield, motor, <i>includes 167, 168, 169</i>	1	59	17M446 FRAME, cart, hi	1
25	180131 BEARING, thrust	1	60	17C949 TUBE, suction, intake	1
32	113796 SCREW, flanged, hex	1	61	17N201 GUN, spray	1
34▲	179960 CARD, medical alert (not shown)	1	62	276888 CLIP, drain line	1
39	241920 DEFLECTOR, threaded	1	65▲	16G596 LABEL, warning	1
40	249194 GEAR, reducer	1	67	331048 CAP, leg	2
41	PUMP, displacement, PC	1	70	17C484 COVER, pump rod	1
	17M991 North America/Europe		84	15B652 WASHER, suction	1
	17M990 Asia/ANZ/South America		91	115099 WASHER, hose	1
42	17N294 HOUSING, drive, PC, <i>includes 47</i>	1	95	15Y118 LABEL, USA	1
43	24W640 ROD, connecting, PC	1	96	15E813 NUT, jam	1
44	GEAR, crankshaft, <i>includes 25</i>	1	133	106062 WHEEL	2
	24X020 555 models		134	15B999 CLIP, retaining	2
	24X021 655/S2550 models		135	104811 CAP, hub	2
45	15M671 HOSE, cpld	1	136	17C990 HANGER, pail	1
46	** HOSE, cpld, 1/4 in. x 50 ft	1	137	111040 NUT, lock, insert, nylon	2
47	117493 SCREW, mach, hex washer hd	4	160	17N291 PLUG, hole, 5/8"	2
49	115495 SCREW, mach, hex washer hd	2	167	331786 COVER, fan	1
52	** LABEL, front	1	168	136192 SCREW	1
53	** LABEL, side	1	169	136217 NUT	1
			**	Pump Fluids	

\* For motor brush kit order 287735



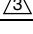
\*\* See addendum for part number

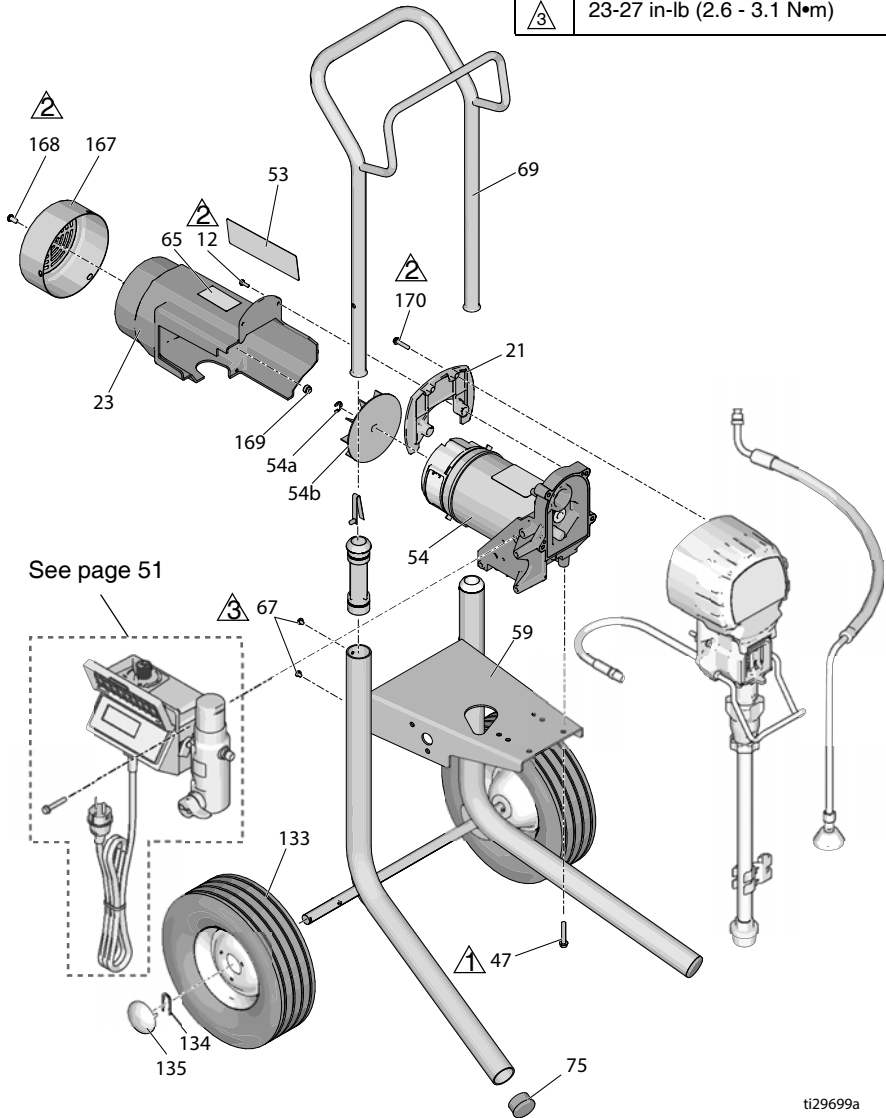
▲ Replacement Danger and Warning labels, tags, and cards are available at no cost.

# Hi-Boy Sprayer Parts

## Hi-Boy Sprayer Parts

17M215, 17M220

Ref.	Torque
 1	140-160 in-lb (15.8 - 18.1 N•m)
 2	30-35 in-lb (3.4 - 4.0 N•m)
 3	23-27 in-lb (2.6 - 3.1 N•m)

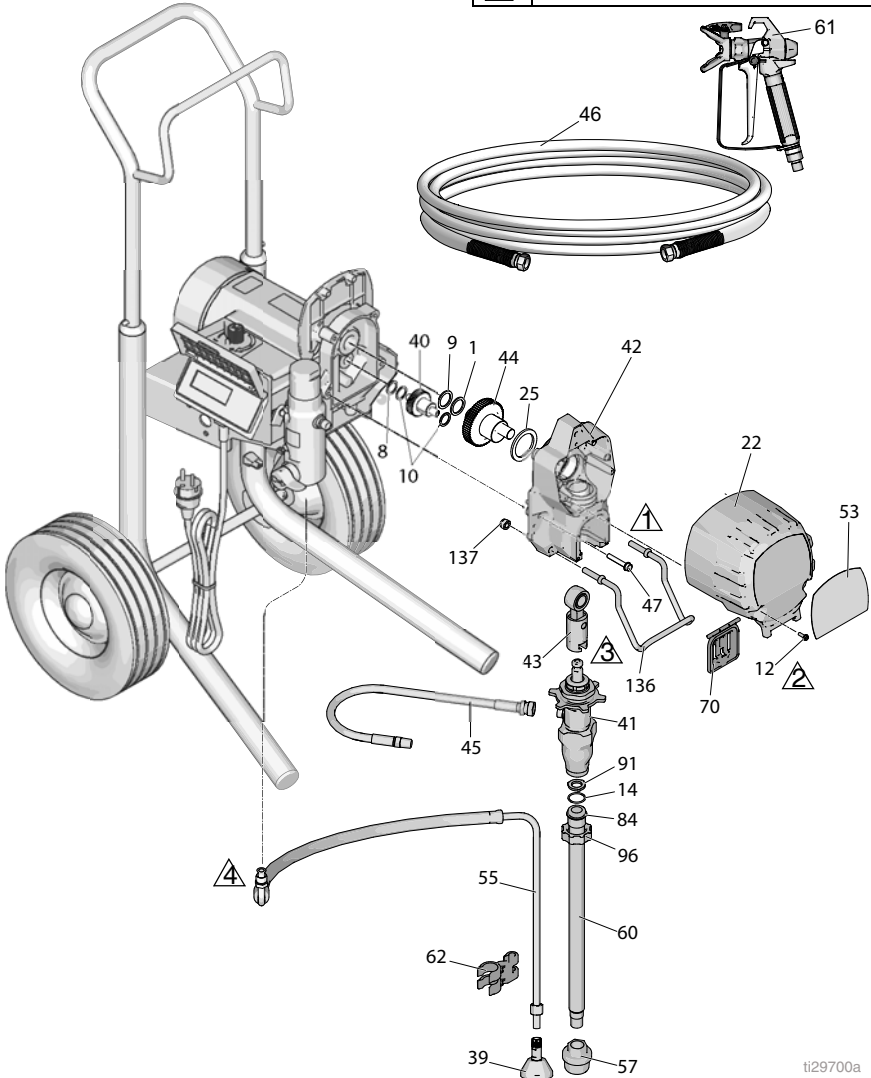


ti29699a

## Hi-Boy Sprayer Parts

17M215, 17M220

Ref.	Torque
①	140-160 in-lb (15.8 - 18.1 N•m)
②	30-35 in-lb (3.4 - 4.0 N•m)
③	Hammer tight
④	25-30 ft-lb (33.8 - 40.6 N•m)



# Hi-Boy Sprayer Parts

## Hi-Boy Sprayers Parts List

### Models 17M215, 17M220

Ref. Part	Description	Qty.	Ref. Part	Description	Qty.
1	107434 BEARING, thrust	1	54a	118716 RING, retaining	1
8	116073 WASHER, thrust	1	54b	248189 FAN, motor, <i>includes</i>	1
9	116074 WASHER, thrust	1		54a	
10	116079 BEARING, thrust	2	55	244240 HOSE, drain, <i>includes</i>	1
12	117501 SCREW, mach, hex washer hd	5		39	
14	103413 O-ring	1	57	187651 STRAINER, 3/4"-16 unf	1
21	17M534 SHIELD, housing	1	59	17C485 FRAME, cart, hi	1
22	17R006 COVER, front	1	60	17C949 TUBE, stinger	
23	17N273 KIT, shield, motor <i>includes 167, 168, 169</i>	1	61	** GUN, spray	1
25	180131 BEARING, thrust	1	62	276888 CLIP, drain line	1
34▲	179960 CARD, medical alert (not shown)	1	65▲	16G596 LABEL, warning	1
39	241920 DEFLECTOR, threaded	1	67	109032 SCREW, pan hd	4
40	249194 GEAR, reducer	1	69	287489 HANDLE	1
41	17M992 PUMP, displacement, PC	1	70	17C484 COVER, pump rod	1
42	24W817 HOUSING, drive, PC, <i>includes 47</i>	1	75	108691 PLUG, tubing	2
43	24W640 ROD, connecting, PC	1	84	15B652 WASHER, suction	1
44	GEAR, crankshaft, <i>includes 25</i>	1	91	115099 WASHER, hose	1
	24X020 555 models		96	15E813 NUT, jam	1
	24X021 S2550 models		133	106062 WHEEL	2
45	15M671 HOSE, cpld, PC	1	134	15B999 CLIP, retaining	2
46	** HOSE, cpld, 1/4 in. x 50 ft	1	135	104811 CAP, hub	2
47	117493 SCREW, mach, hex washer hd	8	136	17C990 HANGER, pail	1
52	** LABEL, front	1	137	111040 NUT, lock, insert, nylon	2
53	** LABEL, side	1	167	331786 COVER, fan	1
54*	MOTOR, <i>includes 54a, 54b</i>	1	168	136192 SCREW	1
	287015 110V / 120V		169	136217 NUT	1
	287060 230V		170	17M806 SCREW, #10 hex	2
			**	Pump Fluids	

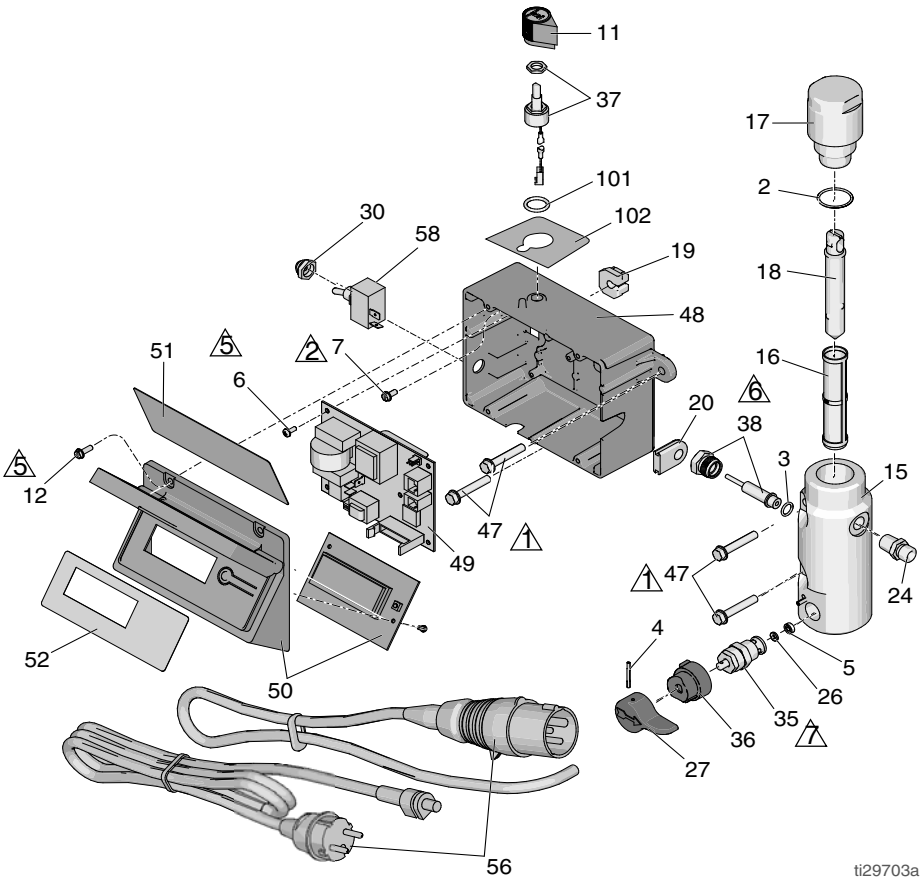
\* For motor brush kit order 287735

\*\* See addendum for part number

▲ Replacement Danger and Warning labels, tags, and cards are available at no cost.

## Control Box

Ref.	Torque
	140-160 in-lb (15.8 - 18.1 N•m)
	30-35 in-lb (3.4 - 4.0 N•m)
	20-25 in-lb (2.3 - 2.8 N•m)
	37-43 ft-lb (50.2 - 58.3 N•m)
	130-150 in-lb (14.7 - 16.9 N•m)



ti29703a

## Control Box Parts List

Ref. Part	Description	Qty.	Ref. Part	Description	Qty.		
2	117828	PACKING, o-ring	1	37	17D888	POTENTIOMETER, assembly	1
3	111457	PACKING, o-ring	1	38	243222	TRANSDUCER, pressure control, <i>includes 3</i>	1
4	111600	PIN, grooved	1	47	117493	SCREW, mach, hex washer hd	4
5	277364	GASKET, seat, valve	1	48	276868	BOX, control	1
6	115494	SCREW, mach, Phillips, pan hd	6	49		CONTROL, board	1
7	115498	SCREW, mch, slot/hex, wash hd	1		<u>555 models:</u>		
11	116167	KNOB, potentiometer	1		246378	110V	
12	117501	SCREW, mach, hex washer hd	4		246380	230V	
15	15G455	MANIFOLD, fluid	1		<u>655/S2550 models:</u>		
16		FILTER, fluid	1		17N505	110V	
	17P314	30 mesh			24X751	230V	
	17P315	60 mesh, original		50	17N274	DIGITAL, display <i>includes 51, 52</i>	2
	17P316	100 mesh		51	17M694	LABEL, control	1
17	287902	CAP, manifold, <i>includes 18</i>	1	52	17M698	LABEL, control, display	1
18	15B071	INSERT, filter	1	56		CARD, power	1
19	15B118	BUSHING, motor wire	1		<u>110V models:</u>		
20	15B120	GROMMET, transducer	1		253368	UK plug	
24	162453	NIPPLE, (1/4 npsm x 1/4 npt)	1		<u>230V models:</u>		
26	15E022	SEAT, valve	1		253369	CEE 7/7 plug	
27	187625	HANDLE, valve, drain	1	58		SWITCH, toggle	1
30	195428	BOOT, toggle	1		195429	110/120V	
35	239914	VALVE, drain, <i>includes 5, 26</i>	1		117492	230V, Europe/Asia/ANZ/UK	
36	224807	BASE, valve	1	101	158674	O-ring, packing	1
				102	17P738	LABEL, control	1

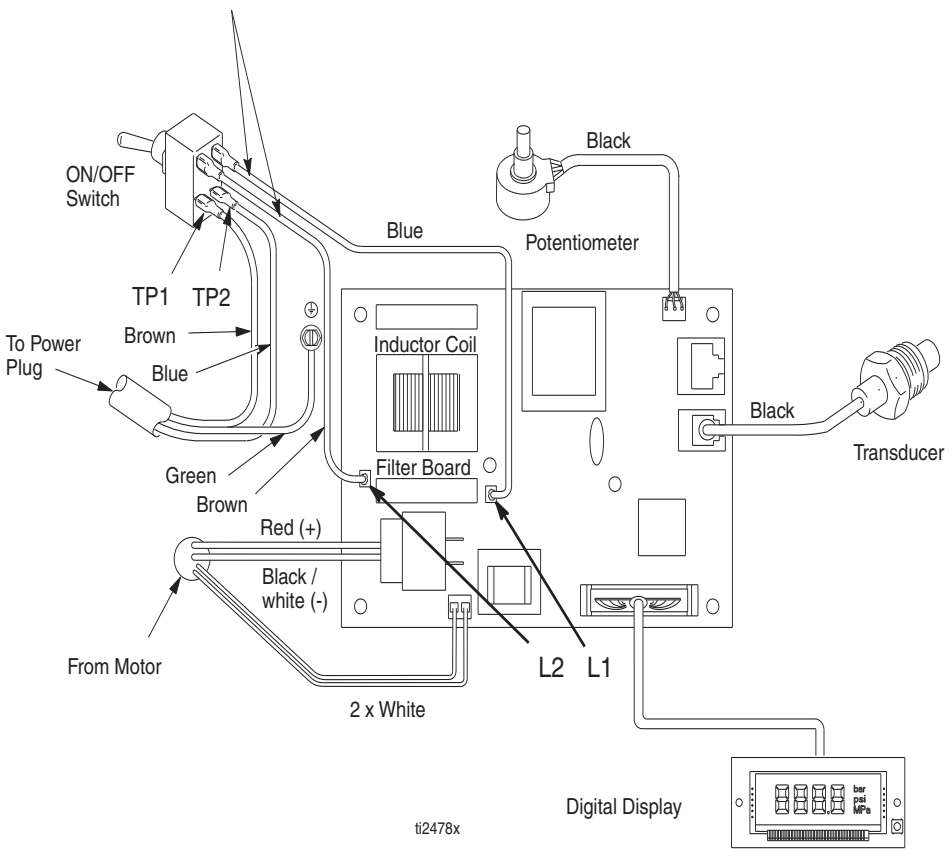


## Wiring Diagrams

### 110/230V

**NOTICE**

Heat from inductor coil of filter board may destroy wire insulation that comes in contact with it. Exposed wires could cause shorts and component damage. Bundle and tie loose wires so none lay in contact with inductor coil on the filter board.



# Technical Specifications

## Technical Specifications

LP 555, 655/S2550		
	US	Metric
<b>Sprayer</b>		
Maximum fluid working pressure	3300 psi	228 bar, 22.8 MPa
Maximum Delivery (555/5150)	0.54 gpm	2.0 lpm
Maximum Tip Size (555/5150)	0.023	0.023
Maximum Delivery (655/8150)	0.60 gpm	2.3 lpm
Maximum Tip Size (655/8150)	0.025	0.025
Fluid Outlet npsm	1/4 in.	1/4 in.
Cycles (555/5105)	700 per gallon	185 per liter
Cycles (655/8150)	581 per gallon	154 per liter
Generator Minimum	3000 W	3000 W
120V, A, Hz (555)	1Ø, 13, 50/60	
120V, A, Hz (655/S2550)	1Ø, 15, 50/60	
220–240V, A, Hz	1Ø, 7, 50/60	
<b>Dimensions</b>		
<b>Height</b>		
Stand	17.8 in.	45.1 cm
Lo-Boy	22.5 in.	57.2 cm
Hi-Boy (555/655)	36.5 in.	92.7 cm
Hi-Boy (S2550)		
Handle up	38.6 in.	98.0 cm
Handle down	28.3 in.	71.9 cm
<b>Length</b>		
Stand	16.5 in.	41.9 cm
Lo-Boy	26.0 in.	66.0 cm
Hi-Boy	23.0 in.	58.4 cm
<b>Width</b>		
Stand	14.0 in.	35.6 cm
Lo-Boy	20.0 in.	50.8 cm
Hi-Boy	20.5 in.	52.1 cm
<b>Weight</b>		
Stand	50.0 lb.	22.7 kg
Lo-Boy	66.0 lb.	30.0 kg
Hi-Boy (555/655)	69.0 lb.	31.3 kg
Hi-Boy (S2550)	66.0 lb.	30.0 kg

# Technical Specifications

LP 555, 655/S2550		
	US	Metric
Noise** (dBa) @ 70 psi (0.48 MPa, 4.8 bar)		
Sound pressure	90 dBa	
Sound power	100 dBa	
Materials of Construction		
Wetted materials on all models	zinc- and nickel-plated carbon steel, nylon, stainless steel, PTFE, Acetal, leather, UHMWPE, aluminum, tungsten carbide, polyethylene, fluoroelastomer, urethane	
Notes		
<p>* Startup pressures and displacement per cycle may vary based on suction condition, discharge head, air pressure, and fluid type.</p> <p>** Sound pressure measured 3 feet (1 meter) from equipment. Sound power measured per ISO-3744.</p>		

*All written and visual data contained in this document reflects the latest product information available at the time of publication.  
The manufacturer reserves the right to make changes at any time without notice.*

Original instructions. This manual contains English. MM 3A4203

**Copyright 2016, All manufacturing locations are registered to ISO 9001.**

Revision B, May 2017