

INFRARED THERMOMETER

TE1005

Instruction Manual

1 Features:

- Precise non-contact measurements
- Built-in laser pointer
- Automatic selection range and Resolution to 0.1° or 1°
- °C/°F switchable button
- Automatic Data Hold & Auto power off
- The meter at 12 inches away measure 1 inch target
- Backlit LCD display

2 Wide range application:

Food preparation, Safety and Fire inspectors, Plastic molding, Asphalt, Marine and screen printing, measure ink and dryer temperature, Diesel and Fleet maintenance.

3 Field of View

The meter's field of view is 12:1, meaning that if the meter is 12 inches from the target, the diameter of the object under test must be at least 1 inch. Other distances are shown below in the field of view diagram. Refer to the chart printed on the meter for more information.

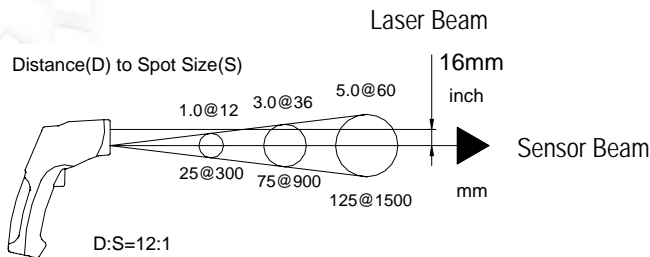


Fig: 1

1. SAFETY

- Use extreme caution when the laser beam is turned on.
- Do not let the beam enter your eye, another person's eye or the eye of an animal.
- Be careful no to let the beam on a reflective surface strike your eye.
- Do not allow the laser light beam impinge on any gas which can explode.



2. SPECIFICATIES

• General specifications

Display	3½ digital LCD screen with backlight
Measuring range / resolution	-50.0°C to 750°C / -58.0°F to 1382°F (0.1°C to 200°, 1° over 200°).
Response time	Less than 1 second.
Over range indication	LCD will show "1".
Polarity	Automatic (no indication for positive polarity); Minus (-) sign for negative polarity
Emissivity	0.95 fixed value
Field of view	D/S = Approx. 12:1 ratio (D = distance; S = spot (Has 90% encircled energy at the focal point)
Diode laser	Output <1mW, Wavelength 630-670nm, class2 (II) Laser product.
Spectral response	8-14µm.
Power off	Automatic shut off after approx. 7 seconds
Operating temperature	0°C to 50°C (32°F to 122°F).
Storage temperature	-20°C to 60°C (-4°F to 140°F).

teprůfing ineness of grind maatiñheid Manifeinheid diyne time droogtijd Truckertzeit abrasion slijvastheid Abreëfsteigkeft inspection accessories I lanz & "Haze" corrosion corrosie Korrosion coating thickness gauges coatingdikte meters Schichtdicken messgerate flash point vlampunt Flampunt the testapparatuur Klimaprůfung appearance uiterlijk Erscheinungsbild inspection kits inspectie kits Inspektionskoffer elasticity & resistance deformal onces weegschalen Waagen surface cleanliness oppervlaktezuiverheid Oberflachenreinheit film application filmapplicatie Filmopufziehgerate coat

Relative humidity	10%-90%RH operating, <80%RH storage
Power supply	9V battery, NEDA 1604A or IEC 6LR61.
Weight	290g.
Dimensions	100 x 56 x 230mm.

● Infrared thermometer specifications

Range (auto. selection 0.1°C/1°C)		Resolution	Accuracy
-50.0°C to 200.0°C	-50.0°C to -20.0°C	0.1°C	± 5°C;
	-20.0°C to 200.0°C		± 1.5% of reading ± 2°C;
201°C to 538°C	1°C	1°C	± 2% of reading ± 2°C;
539°C to 750°C			± 3.5% of reading ± 5°C.

Range(auto. selection 0.1°F/1°F)		Resolution	Accuracy
-58.0°F to 200.0°F	-58.0°F to -4.0°F	0.1°F	± 9°F;
	-4.0°F to 200.0°F		± 1.5% of reading ± 4°F;
201°F to 1000°F	1°F	1°F	± 2% of reading ± °F;
1001°F to 1382°F			± 3.5% of reading ± 9°F.

Note:
Accuracy is given at 18 °C to 28 °C (64 °F to 82 °F), less than 80 % RH.

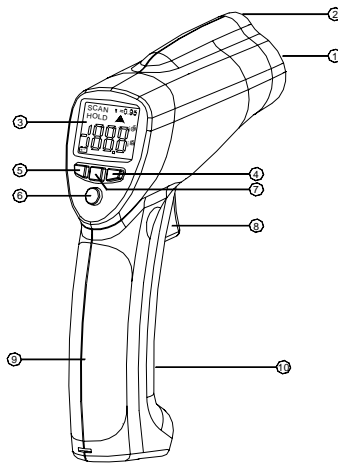
Field of View:

Make sure that the target is larger than the unit's spot size. The smaller the target, the closer you should be to it. When accuracy is critical, make sure the target is at least twice as large as the spot size.

Emissivity: 0.95 fixed value

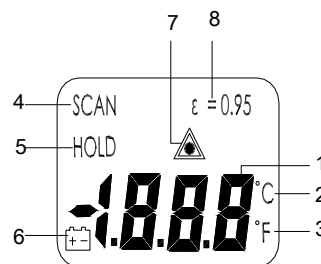
3. FRONT PANEL DESCRIPTION

- ① IR sensor
- ② Laser pointer beam
- ③ LCD Display
- ④ °F select key
- ⑤ °C select key
- ⑥ Backlight select key
- ⑦ Laser select key
- ⑧ Measurement Trigger
- ⑨ Handle Grip
- ⑩ Battery Cover



4. INDICATOR

- ① Digital readout
- ② Temperature °C (Celsius)
- ③ Temperature °F (Fahrenheit)
- ④ Measuring indication
- ⑤ Data Hold
- ⑥ LOW battery indicator
- ⑦ Laser Point
- ⑧ Fixed emissivity (0.95)



Insulin e insuline opname kleefband voor diabetes bijdragen tot de gezondheid van de patiënt. Insulin e insuline opname kleefband voor diabetes bijdragen tot de gezondheid van de patiënt. Insulin e insuline opname kleefband voor diabetes bijdragen tot de gezondheid van de patiënt. Insulin e insuline opname kleefband voor diabetes bijdragen tot de gezondheid van de patiënt. Insulin e insuline opname kleefband voor diabetes bijdragen tot de gezondheid van de patiënt.



5. MEASUREMENT OPERATION

- ① Hold the meter by its **Handle Grip** and point it toward the surface to be measured.
- ② Pull and hold the **Trigger** to turn the meter on and begin testing. The display will light if the battery is good. Replace the battery if the display does not light.
- ③ While measuring, the **SCAN** display icon will appear in the upper left hand corner of the LCD.
- ④ While continuing to pull the **Trigger**:
 - a. Push the **Laser** button to turn on the laser pointer. When the laser is on the laser icon will appear on the LCD over the temperature Δ in the red beam approximately a half inch above the point of test (pressing the **Laser** button again turns the laser off).
 - b. Select the temperature units ($^{\circ}\text{C}$ or $^{\circ}\text{F}$) using the $^{\circ}\text{C}$ and $^{\circ}\text{F}$ buttons.
 - c. Push the **Backlight** key to turn on the LCD backlighting function.
- ⑤ Release the **Trigger** and the **HOLD** display icon will appear on the LCD indicating that the reading is being held.
- ⑥ The meter will automatically power down after approximately 7 seconds after the trigger is released.

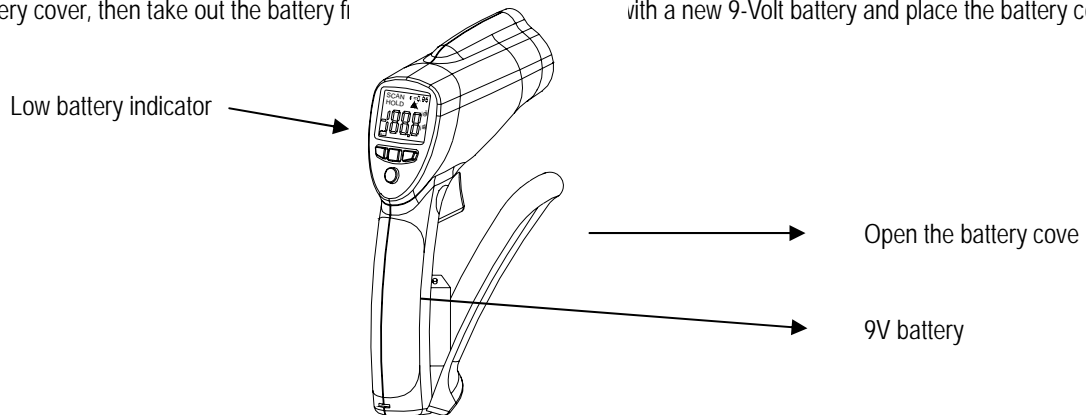
Note: Measurement considerations

Holding the meter by its handle, point the IR Sensor toward the object whose temperature is to be measured. The meter automatically compensates for temperature deviations from ambient temperature. Keep in mind that it will take up to 30 minutes to adjust to wide ambient temperatures are to be measured followed by high temperature measurements, some time (several minutes) is required after the low (and before the high) temperature measurements are made.

This is a result of the cooling process which must take place for the IR sensor.

6. BATTERY REPLACEMENT

- ① As battery power is not sufficient, LCD will display "⚡" replacement with one new battery type 9V is required.
- ② Open battery cover, then take out the battery fi with a new 9-Volt battery and place the battery cover back.



7. NOTES:

- **How it Works**
Infrared thermometers measure the surface temperature of an object. The unit's optics sense emitted, reflected, and transmitted energy, which is collected and focused onto a detector. The unit's electronics translate the information into a temperature reading which is display on the unit. In units with a laser, the laser is used for aiming purposes only.
- **Field of View**
Make sure that the target is larger than the unit's spot size. The smaller the target, the closer you should be to it. When accuracy is critical, make sure the target is at least twice as large as the spot size.
- **Distance & Spot Size**
As the distance (D) from the object increases, the spot size (S) of the area measured by the unit becomes larger. See: Fig. 1.
- **Locating a hot Spot**
To find a hot spot aim the thermometer outside the area of interest, then scan across with an up and down motion until you locate hot spot.

