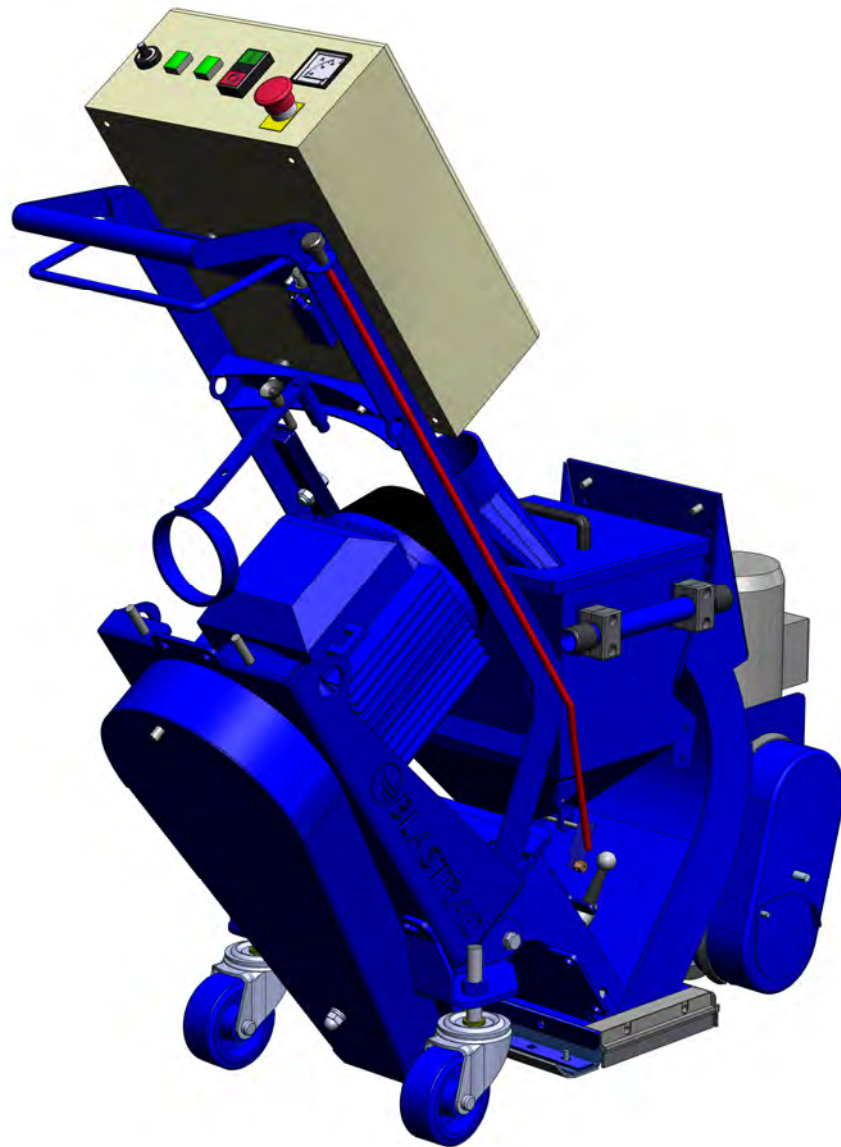




1-8DPF40 Global

Version 1.0



EC DECLARATION OF CONFORMITY

in accordance with Appendix II sub A of Directive 2006/42/EC

BLASTRAC B.V.

Utrechthaven 12
NL - 3433 PN NIEUWEGEIN
Tel: 0031 (0)30 601 88 66
Fax: 0031 (0)30 601 83 33
Info@Blastrac.nl
The Netherlands

Declare under our sole responsibility that the machine as described below
Conforms with the Health and Safety requirements of the European Directive
of the machine Safety.

In case of changes to the machine without our written authorization this declaration loses
its validity.

Model: **BLASTRAC 1-8DPF40** **Global** **Serial number:**

1. satisfies the conditions set out in the Machine Directive (Directive 2006/42/EC);
Low voltage directive (2006/95/EC, as last amended; EMC directive 2004/108/EC,
as last amended)
2. satisfies the following harmonized standards:
NEN-EN 349, NEN-EN 418, NEN-EN 294 and NEN-EN 60204

Nieuwegein



Michiel Kalisvaart



Index

1. Spare parts	04
2. Maintenance box	12
Contact	



1. Spare parts

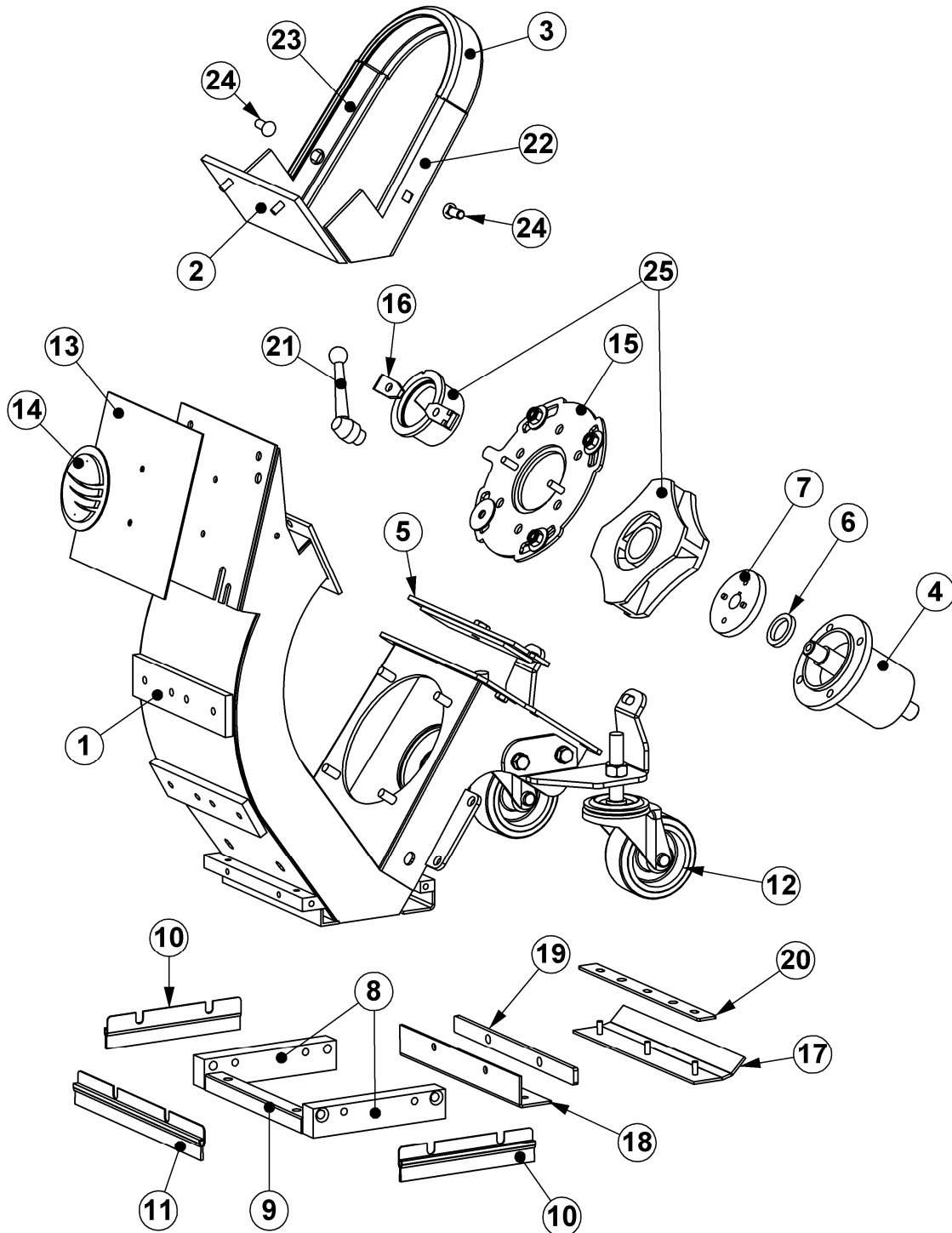


Fig. 01

Fig. 01

Item	Part number	Description	Remarks	Qty.
1	E10001	Blasthousing		1
2	B21009	Plenum bottom liner		1
3	B21044	Top liner		1
4	979085	Bearing unit		1
5	B21008	Blasthousing cover		1
6	976317	Felt seal		1
7	976310	Hub		1
8	969780	Side magnet		2
9	969763	Front magnet		1
10	001624	Side brush		2
11	001623	Front brush		1
12	971518	Swivel castor		2
13	E06432	Cover plate		1
14	E06150	Blastrac logo Ø100		1
15	E06437	Adjustable blastwheel cover		1
16	E06148	Cage clamp		1
17	969212	Skid seal		1
18	004573	Skid seal PU		1
19	971427	Skid retainer		1
20	971428	Skid retainer		1
21	E06921	Clamp lever M10		1
22	969580	Side liner LH		1
23	969581	Side liner RH		1
24	969586	Liner screw M10x25		2
25	B21637K	Tune up kit 6-1/2		1

Fig. 02

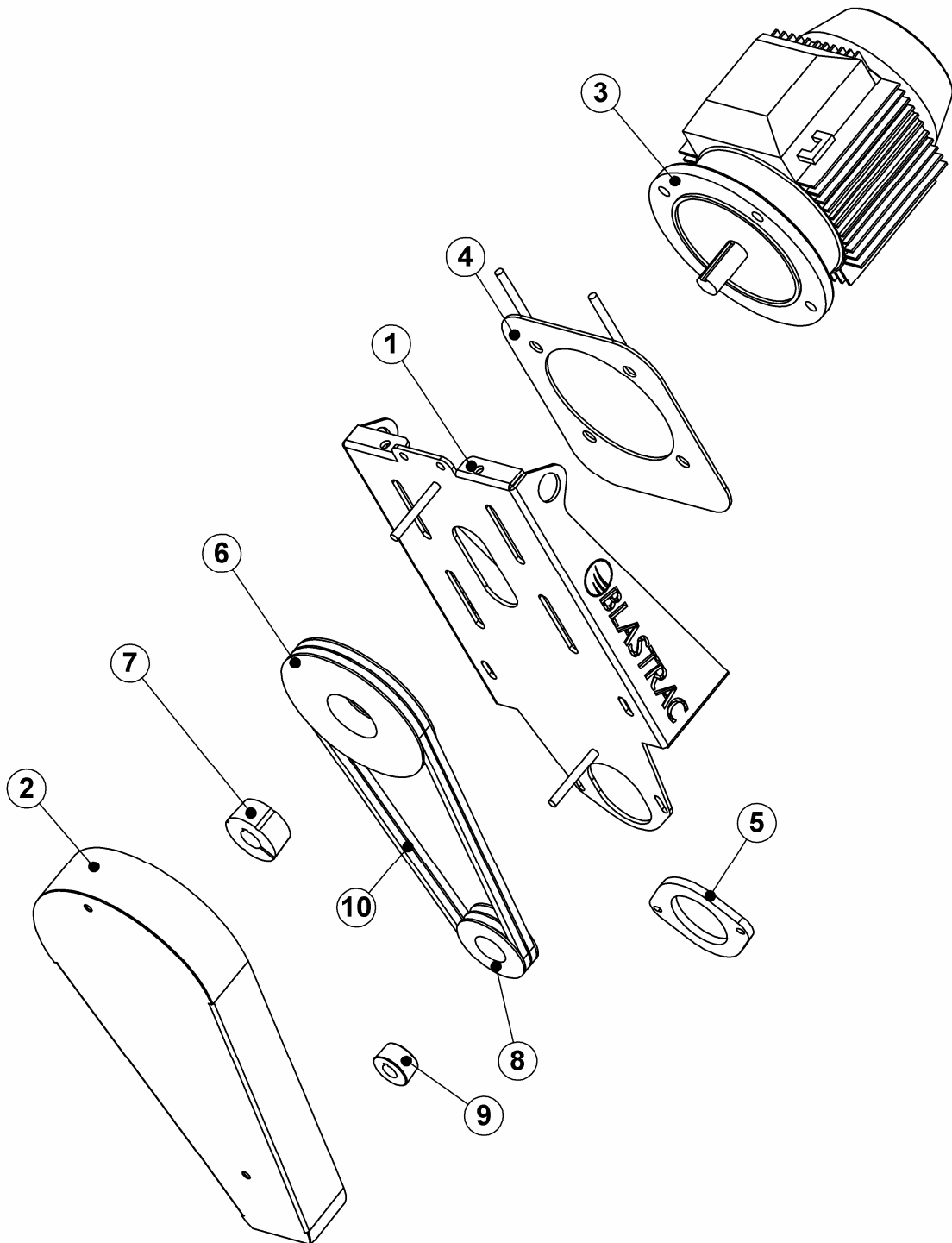


Fig. 02

Item	Part number	Description	Remarks	Qty.
1	E06398	Motor bracket		1
2	E06387	Belt guard		1
3	E00369	Motor 4kW		1
4	E06394	Fill up plate blastmotor		1
5	E06434	Dust plate		1
6	E06160	Pulley		1
7	E10415	Taper lock bush		1
8	976659	Pulley	50Hz	1
	E00620		60Hz	1
9	E03518	Taper lock bush	50Hz	1
	E00629		60Hz	1
10	E06131	V belt	50Hz	2
	E06182		60Hz	2



Fig. 03

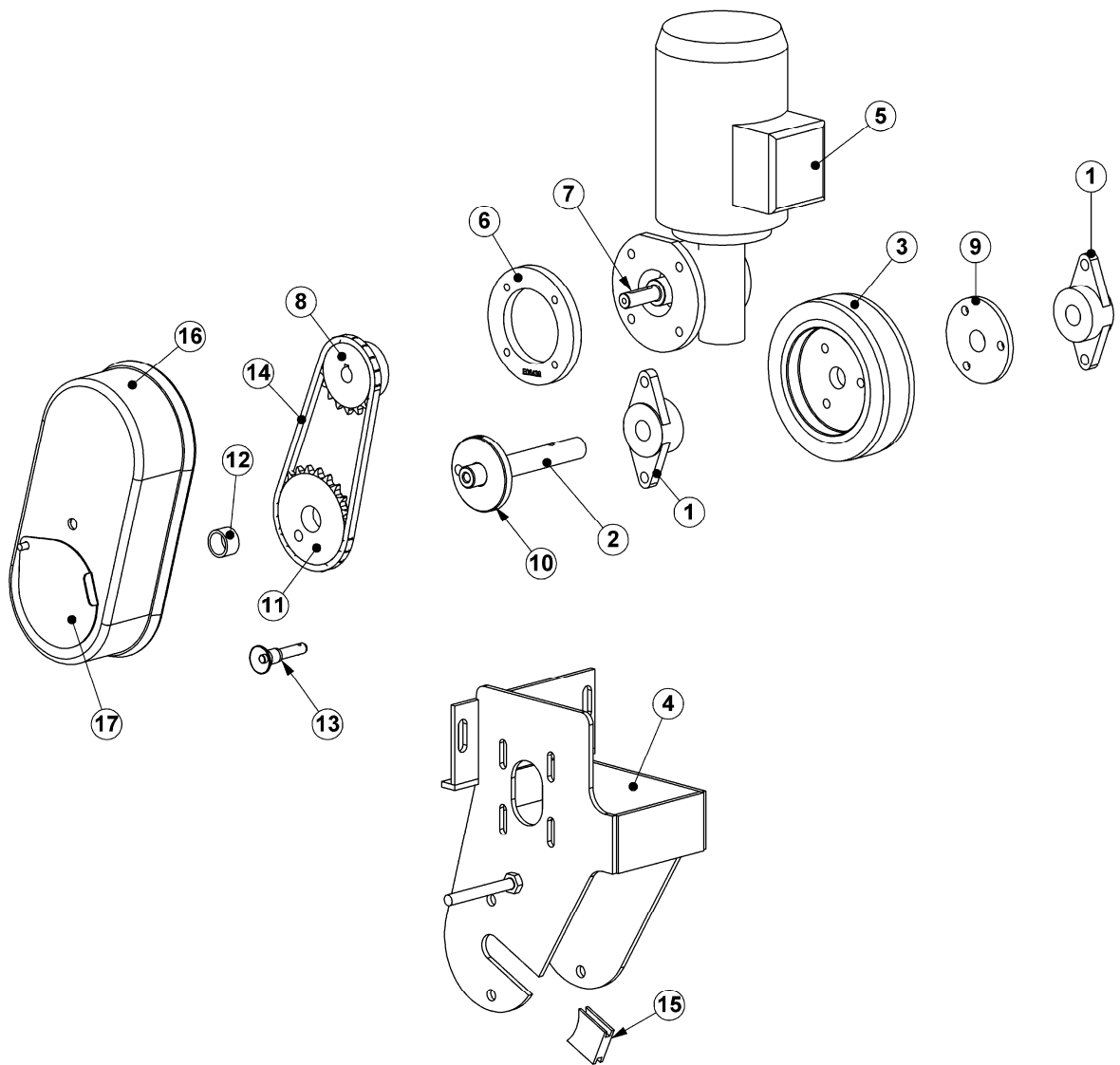


Fig. 03

Item	Part number	Description	Remarks	Qty.
1	976818	Bearing		2
2	971621	Drive shaft		1
3	969409	Drive wheel		1
4	E06435	Drive bracket		1
5	E03026	Drive motor		1
6	E06439	Distance flange		1
7	E03035	Drive shaft		1
8	979076	Drive motor sprocket		1
9	970016	Wheel plate		1
10	970015	Drive plate		1
11	979077	Drive sprocket		1
12	979087	Sleeve bearing bush		1
13	478198	Quick release pin		1
14	E00237	Chain		0,56m
14.1	E00238	Chain link		1
15	979072	Finger trap cover		1
16	979067	Chain guard		1
17	976323	Cover for drive pin		1

Fig. 04

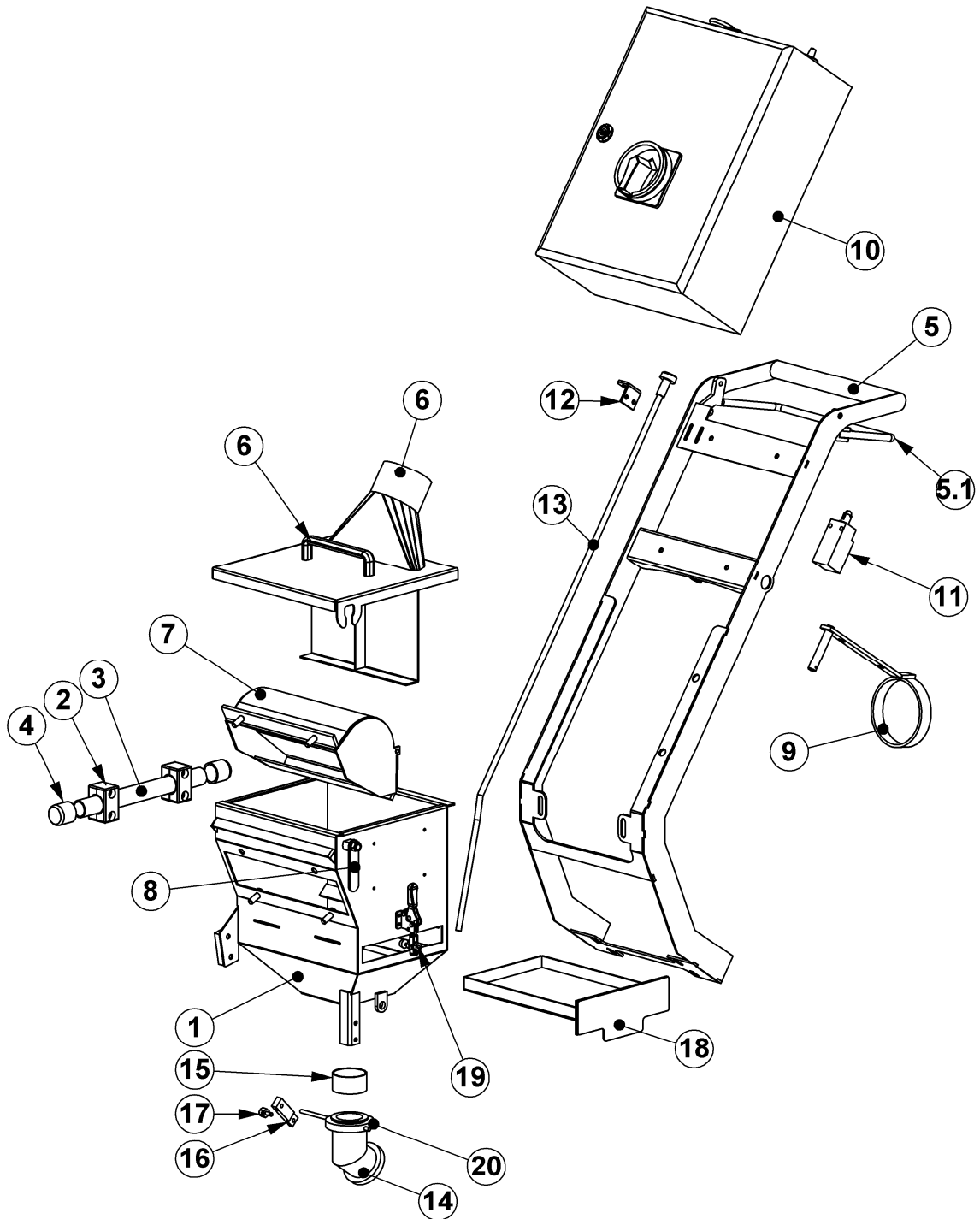


Fig. 04

Item	Part number	Description	Remarks	Qty.
1	E06418	Separator		1
2	DG39	Pipe clamp		2
3	E00910	Cable tube		1
4	E00368	Cable protection cap		2
5	E10009-SM	Steering handle		1
5.1	E10009_8 SM	Control lever		1
6	E06419	Separator lid		1
7	B21003	Deflector		1
8	E06531	Locking lever		1
9	E10008	Hose support		1
10	E06142/ 1-8DPF40	Elektrobox		1
11	454796	Limit switch		1
12	976343	Control cable bracket		1
13	975100	Control cable		1
14	967577	Feed spout		1
15	971500	Feed spout seal ring		1
16	959647	Valve lever		1
17	491726-1	Nipple & screw		1
18	E06595	Separator tray		1
19	001084	Clamp for separator tray		1
20	969819	Magnetic valve		1

3. Maintenance box

Maintenance box 1-8DPF40 50Hz E07050

Maintenance box 1-8DPF40 60Hz E07051

Item	Maintenance box 1-8DPF40 50Hz E07050		Qty.
1	E06131	V-belt	2
4 - 25		See list below	

Item	Maintenance box 1-8DPF40 60Hz E07051		Qty.
1	E06182	V-belt	2
4 - 25		See list below	

Item	Part number	Description	Remarks	Qty.
4	001030	Metal box		
5	969580	Left liner		
6	969581	Right liner		
7	B21044	Top liner		
8	B21637K	Tune up kit 6-1/2		
9	975100	Abrasive control cable		
10	004573	Rear seal rubber		
11	969212	Skid seal		
12	001624	Side brush		2
13	001623	Front brush		1
14	001017	Open-end spanner 10/11		
15	001040	Open-end spanner 13/17		
16	001019	Open-end spanner 17/19		
17	000144	Ratchet spanner 1/2"		
18	000145	Box spanner 8mm		
19	000146	Box spanner 13mm		
20	001043	Box spanner 17 mm		
21	001032	Screwdriver 5,5 x 100		
22	001035	Insulated screwdriver		
23	001056	Water pump pliers		
24	001000	Hammer		
25	001031	Safety glasses		

Headquarter

*Blastrac BV The Netherlands
Utrecht haven 12
NL - 3433 PN Nieuwegein
Tel: 0031 (0)30 601 88 66
Fax: 0031 (0)30 601 83 33
info@blastrac.nl*

*Blastrac United Kingdom
Unit 2, Outgang Lane, Dinnington
Sheffield, South Yorkshire
GB – S25 3QU, England
Tel: 0044 (0) 1909 569 118
Fax: 0044 (0) 1909 567 570
info@blastrac.co.uk*

*Blastrac France
ZI
29, Avenue des Temps Modernes
F – 86360 Chasseneuil du Poitou
Tel: 0033 (0)5 49 00 49 20
Fax: 0033 (0)5 49 00 49 21
info@blastrac.fr*

*Blastrac Spain
Calle Copernico, 16
Nave 2
E – 28820 Coslada
Tel: 0034 91 660 10 65
Fax: 0034 91 672 72 11
info@blastrac.com.es*

*Blastrac Germany
Mathias Brüggén Straße 144
D – 50829 Köln (Ossendorf)
Tel: 0049 (0) 221 70 90 32 0
Fax: 0049 (0) 221 70 90 32 22
info@blastrac.de*

*Blastrac Poland
Golina, Dworcowa 47a
63-200 Jarocin
Tel: 0048 62 740 40 27
Fax: 0048 62 740 40 27
info@blastrac.pl*

