

BLAST LIGHTS

12V/24V



AIRBLAST



Airblast Blast Lights are developed to meet the demand for an easy to use, lightweight, low voltage grit blasting light.

Features:

- Highly concentrated output of light, the unit fully illuminates the area on which blasting is taking place.
- Safe to use – works off 12 volts and there's no glass to break. A cheap, strong and easily replaceable plastic lens is used at the front of the unit.
- No light spill or dazzle – by using a special bulb and tube fitting, the light is concentrated only on the work area and all back dazzle is eliminated.
- Free to work – because the unit is clamped directly on the blast nozzle fitting, the operator has both hands free to operate the blast equipment.
- The blast light can be used alongside all existing deadman handles.

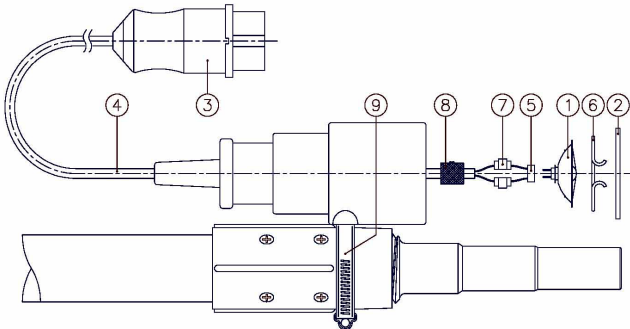
To back up the light, a suitable fully rubber housed transformer is available to connect to a 220 volt 50 hz line, giving a 12 volt output to upto 4 separate sockets for up to 4 lights. Other executions are available on request.

BLAST LIGHT ABKR

5010800	ABKR-12/20 Blast Light 12 Volt/20 Watt incl. 12 Volt halo bulb, 5 m cable (2 x 0.75 mm ²) and CEE-Connector (Male).
5010100	ABKR-24/20 Blast Light 24 Volt/20 Watt incl. 24 Volt halo bulb, 5 m cable (2 x 0.75 mm ²) and CEE-Connector (Male).

SPARE PARTS FOR ABKR-12/2 AND ABKR-24/20

Item	Part no.	Description	Item	Part no.	Description
1	5010700	Halogen bulb 12 Volt / 20 Watt	5	5012100	Fitting
	5010200	Halogen bulb 24 Volt / 20 Watt	6	5012200	Spring clip
2	5010300	Lens	7	5012300	Cable connector
3	5010400	CEE Connector, 2 poles, 16A (Male)	8	5012400	Rubber plug
4	5009500	Cable (2 x 0.75 mm ²), black rubber, RWPK H05RN-F	9	5012500	Clamp
	5010500	Cable (2 x 1.50 mm ²), black rubber, RWPK H05RN-F	10	5012600	Bolt (not shown)
	5012000	Cable (2 x 1.50 mm ²), neoprene, NWPk H07RN-F			

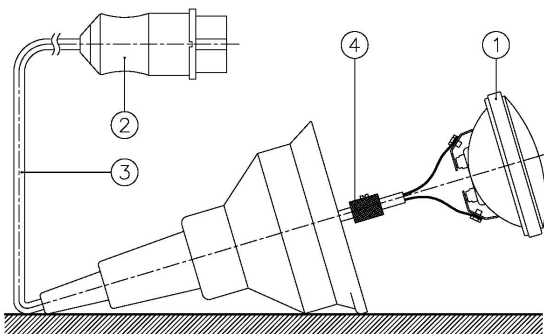


BLAST LIGHT HALO

5011000	HALO-24/100 BLAST LIGHT 24 Volt / 100 Watt with ON/OFF-Switch, Full Rubber housing with reflector. Incl. halogen bulb, 5 m cable (2 x 1.5 mm ²) and CEE Connector (M) * Also available in 12 Volt and 42 Volt execution.
5020000	HALO-24/100 BLAST LIGHT 24 Volt / 100 Watt. Full Rubber housing with reflector. Incl. halogen bulb, 5 m cable (2 x 1.5 mm ²) and CEE Connector (M).

SPARE PARTS FOR HALO-24/100

Item	Part no.	Description	Item	Part no.	Description
1	5010700	Bulb 24 Volt / 100 Watt	3	5012000	Cable (2 x 1.50 mm ²), neoprene, NWPk H07RN-F
2	5010200	CEE Connector 24V / 16A (M)	4	5013000	Cable (2 x 2.50 mm ²), neoprene, NWPk H07RN-F
			5	5012700	Rubber plug



TRANSFORMERS FOR 24V BLAST AND FLOOD LIGHTS. Incl. 3 m (2 x 1.5 mm²) Grounded cable and 24 Volt 16A CEE Output (Female) - Full rubber housing. Thermal Safeguard against overload.

5011500	TRANS MINI - 220V / 24V 120VA - 1 x 24 Volt / 16A CEE output (F)
5011600	TRANS-MIDI - 220V / 24V 225VA - 2 x 24 Volt / 16A CEE-output (F)
5030100	TRANS I/1 - 220V / 24V 500VA - 1 x 24 Volt / 16A CEE output (F)
5030200	TRANS I/2 - 220V / 24V 500VA - 2 x 24 Volt / 16A CEE output (F)
5030300	TRANS I/3 - 220V / 24V 500VA - 3 x 24 Volt / 16A CEE output (F)
5030400	TRANS I/4 - 220V / 24V 500VA - 4 x 24 Volt / 16A CEE output (F)
5030500	TRANS II/2 - 220V / 24V 1000VA - 2 x 24 Volt / 16A CEE output (F)
5030600	TRANS II/3 - 220V / 24V 1000VA - 3 x 24 Volt / 16A CEE output (F)
5030700	TRANS II/4 - 220V / 24V 1000VA - 4 x 24 Volt / 16A CEE output (F)